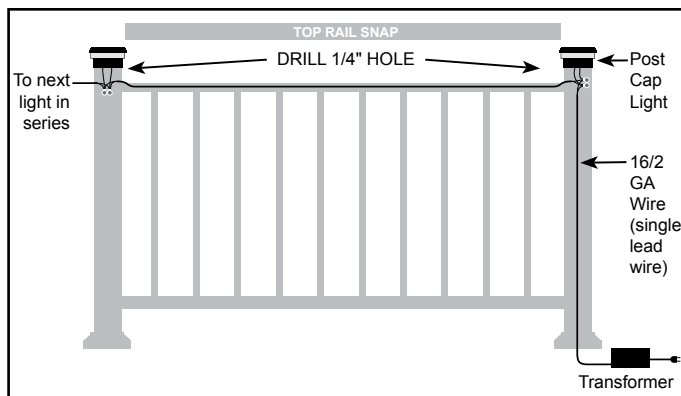
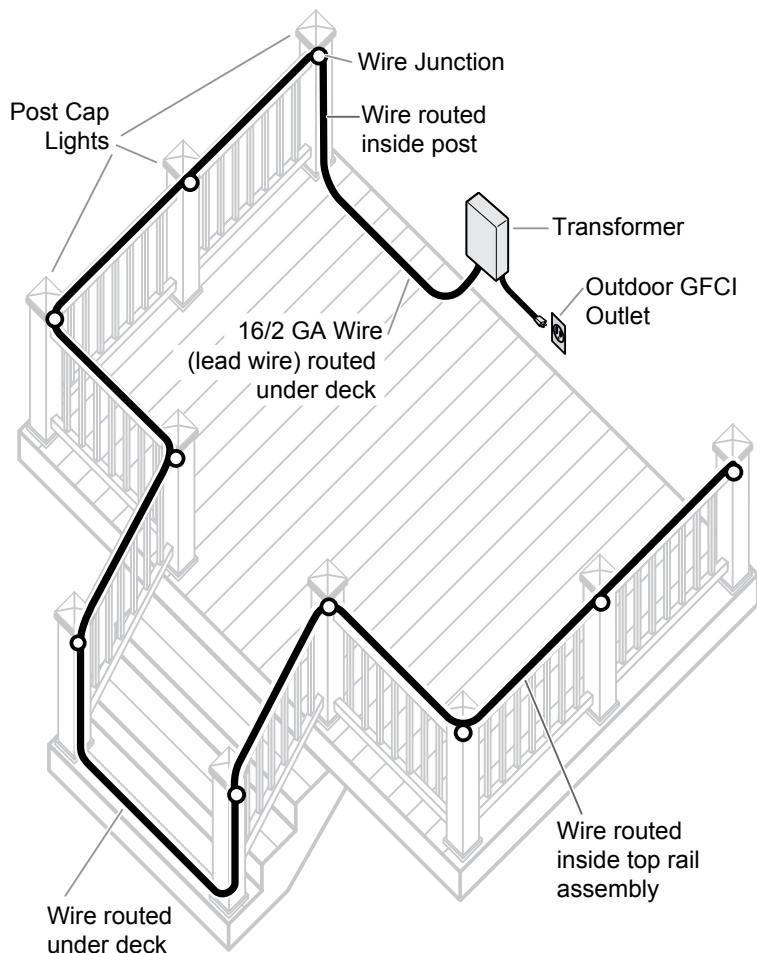


# POST CAP LIGHTING INSTALLATION INSTRUCTIONS

FOR PICKET AND GLASS STRIP RAILING SYSTEMS



For questions or assistance, please visit  
[www.railingaccents.com](http://www.railingaccents.com) or call 844-922-2368.

#### TOOLS REQUIRED:

- Power Drill
- 1/4" and 5/8" Drill Bits
- Tape Measure
- Phillips Head Screwdriver
- Pliers
- Wire Stripper
- Masking Tape

### CAUTION! WIRING MUST BE INSTALLED PRIOR TO SECURING POSTS TO DECK SURFACE AND INSTALLING TOP RAIL SNAPS.

#### BEFORE YOU START

- READ AND UNDERSTAND THE INSTRUCTIONS COMPLETELY.
- BE SURE ELECTRICAL CURRENT IS TURNED OFF.
- IF YOU HAVE ANY DOUBTS ABOUT HOW TO INSTALL FIXTURE, PLEASE CONTACT AN ELECTRICAL CONTRACTOR.

#### INSTRUCTIONS

1. Identify the post where the 16/2 GA Wire (lead wire) will feed up through the deck surface from the transformer.
2. Drill a 5/8" hole through the deck surface centered and below the post or posts. **See fig. 1.**
3. Prior to anchoring post to deck surface, feed lead wire inside post sleeve and base plate then through pre-drilled 5/8" hole in deck surface. Secure wire end to the top of the post with tape so that wire does not fall into post sleeve. Secure post to deck surface and continue railing installation.
4. Once railing is secured to posts and before top rail snaps are installed on railing, drill a 1/4" hole, directly above the rail panel attachment clip. **See fig. 2.** (continued)

FIG. 1

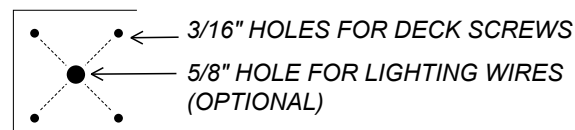


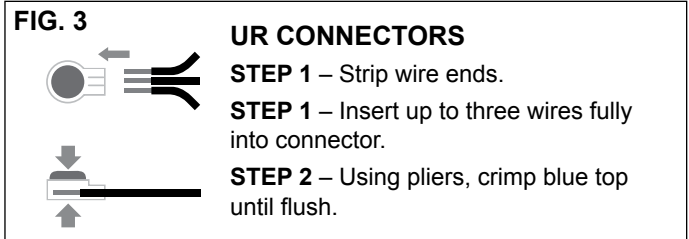
FIG. 2



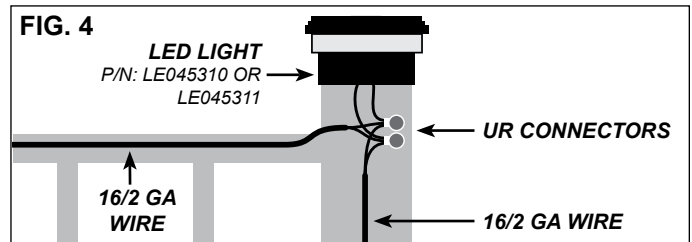
**IMPORTANT: FOR PROPER FEEDING OF WIRES UNDER TOP RAIL SNAP, HOLE MUST BE RIGHT AT THE TOP CENTER OF UPPER RAIL CIP.**

*A 6" BIT IS RECOMMENDED TO REDUCE THE DRILLING ANGLE.*

- When connecting more than one light, run a 16/2 GA Wire from post to post. Feed the ends of the wire through the pre-drilled 1/4" hole. Lay wire inside upper rail channel so not to interfere with top rail snap installation.
  - Connect the wire to the first post cap light and if installing more than one light, connect another wire to UR connector to continue lead wire (three wires in UR Connector). See fig. 3 and fig. 4.
- NOTE: To ensure a water tight seal, push all connectors firmly together.**
- Continue wiring all post caps.
  - Mount transformer where it is exposed to daylight and within reach of an outdoor CGFI outlet. DO NOT PLUG IN UNIT.
  - Connect 16/2 GA wire (lead wire) to power supply.
  - Plug in transformer and turn to "ON" position.
  - If all lights are working and wires are properly secured, install top rail snaps.



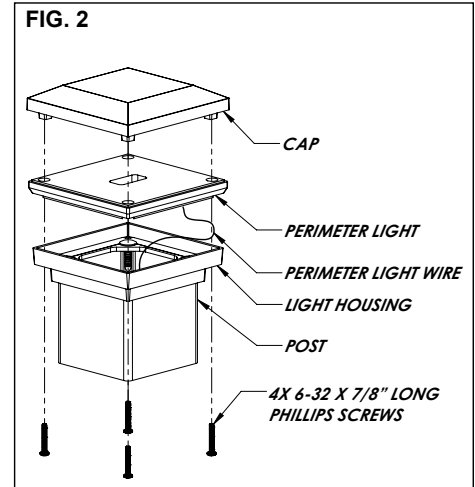
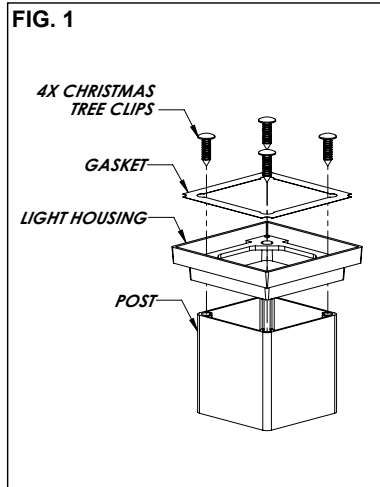
This low voltage system allows for connecting wires to light or extension cable in either order. There are no positive or negative wires.



### 3" LED POST CAP PERIMETER LIGHT – ASSEMBLY P/N: LE045310

**TOOLS NEEDED:** Phillips Head Screwdriver

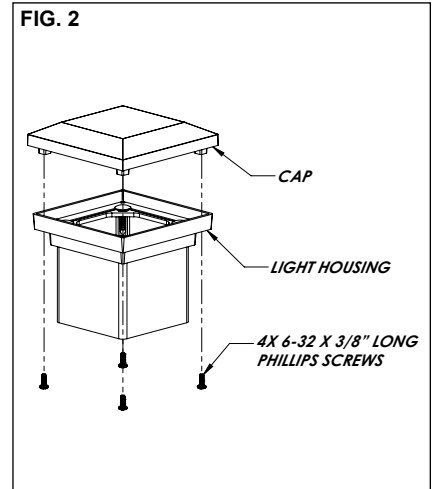
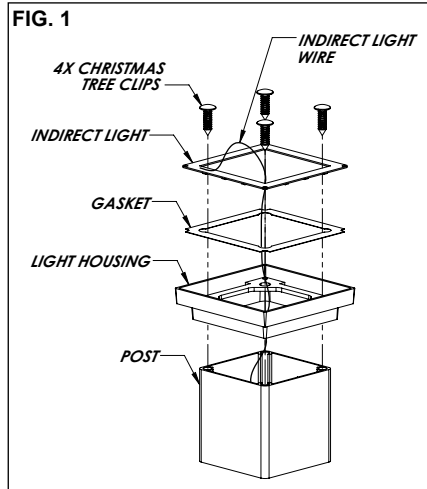
- INSTALL **GASKET** INTO **LIGHT HOUSING**. SEE FIG. 1.
- ATTACH **LIGHT HOUSING** ONTO **POST** AND SECURE USING **4X CHRISTMAS TREE CLIPS**. TWO CLIP SIZES MAY BE PROVIDED – USE THE SIZE TO BEST FIT HOLES IN POST. SEE FIG. 1.
- PLACE **PERIMETER LIGHT** ONTO **LIGHT HOUSING** ENSURING **PERIMETER LIGHT WIRE** FEEDS DOWN THROUGH POST. SEE FIG. 2.
- CONNECT **LIGHT WIRE** TO LEAD WIRE WITH UR CONNECTORS.
- PLACE **CAP** ONTO **PERIMETER LIGHT** AND SECURE USING **4X 6-32 X 7/8" LONG PHILLIPS SCREWS**. SEE FIG. 2.



### 3" LED POST CAP INDIRECT LIGHT – ASSEMBLY P/N: LE045311

**TOOLS NEEDED:** Phillips Head Screwdriver

- INSTALL **GASKET** INTO **LIGHT HOUSING**, THEN INSTALL **INDIRECT LIGHT** (L.E.D.S DOWN). ENSURE **INDIRECT LIGHT WIRE** FEEDS DOWN THROUGH **POST**. SEE FIG. 1.
- ATTACH **LIGHT HOUSING** ONTO **POST** AND SECURE USING **4X CHRISTMAS TREE CLIPS**. TWO CLIP SIZES MAY BE PROVIDED – USE THE SIZE TO BEST FIT HOLES IN POST. SEE FIG. 1.
- CONNECT **LIGHT WIRE** TO LEAD WIRE WITH UR CONNECTORS.
- PLACE **CAP** ONTO **LIGHT HOUSING** AND SECURE USING **4X 6-32 X 3/8" LONG PHILLIPS SCREWS**. SEE FIG. 2.



FOR USE WITH LANDSCAPE LIGHTING SYSTEM ONLY. THIS DEVICE IS ACCEPTED AS A LANDSCAPE LIGHTING SYSTEM WHERE THE SUITABILITY OF THE COMBINATION SHALL BE DETERMINED BY CSA OR LOCAL INSPECTION AUTHORITIES HAVING JURISDICTION. LANDSCAPE LIGHTING SYSTEMS ARE FOR OUTDOOR USE ONLY. POWER SUPPLIES ARE FOR OUTDOOR USE ONLY. NOT FOR USE IN DWELLING UNITS. DO NOT MOUNT POWER SUPPLY OR LUMINAIRES WITHIN 10 FT OF A SWIMMING POOL OR SPA. THE SUPPLY CIRCUIT FOR THE LANDSCAPE LIGHTING SYSTEM SHALL BE PROTECTED BY A CLASS A TYPE GROUND FAULT CIRCUIT INTERRUPTER. NOT FOR USE WITH SUBMERSIBLE FIXTURES. USE ONLY WITH EASY PLUG CONNECTOR CABLES AND POWER SUPPLIES. FOR ADDITIONAL CABLES PLEASE CALL THE NUMBER BELOW. ONLY USE THE EXTENSION CORD SUPPLIED WITH THE PROVIDED POWER SUPPLY. DO NOT USE AN EXTENSION CORD. 5MM ILUMA PULLS 1.6 WATTS PER FOOT. USE ONLY 90% OF THE POWER SUPPLIES WATTAGE, ALLOWING 10% FREE. LOW VOLTAGE CABLE SHALL BE PROTECTED BY ROUTING IN CLOSE PROXIMITY TO THE LUMINAIRE OR FITTING, OR NEXT TO A BUILDING STRUCTURE SUCH AS A HOUSE OR DECK; NOT BE BURIED EXCEPT FOR A MAXIMUM 6" (15.2CM) IN ORDER TO CONNECT TO THE MAIN LOW VOLTAGE CABLE; AND HAVE THE LENGTH CUT OFF SO THAT IT IS CONNECTED TO A CONNECTOR WITH 6" (15.2CM) FROM A BUILDING STRUCTURE, A LUMINAIRE, OR FITTING.