

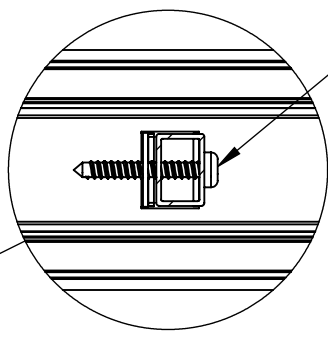
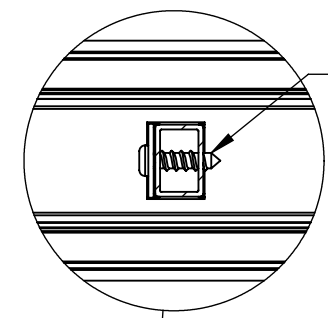
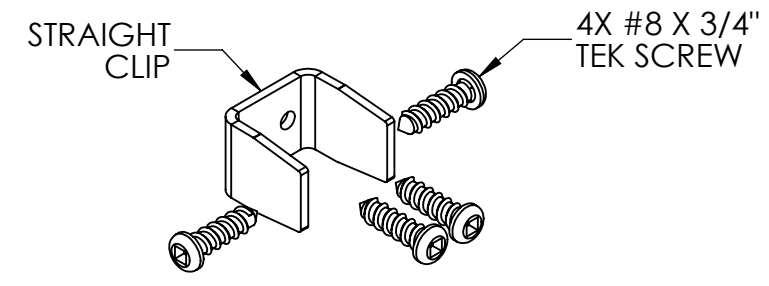
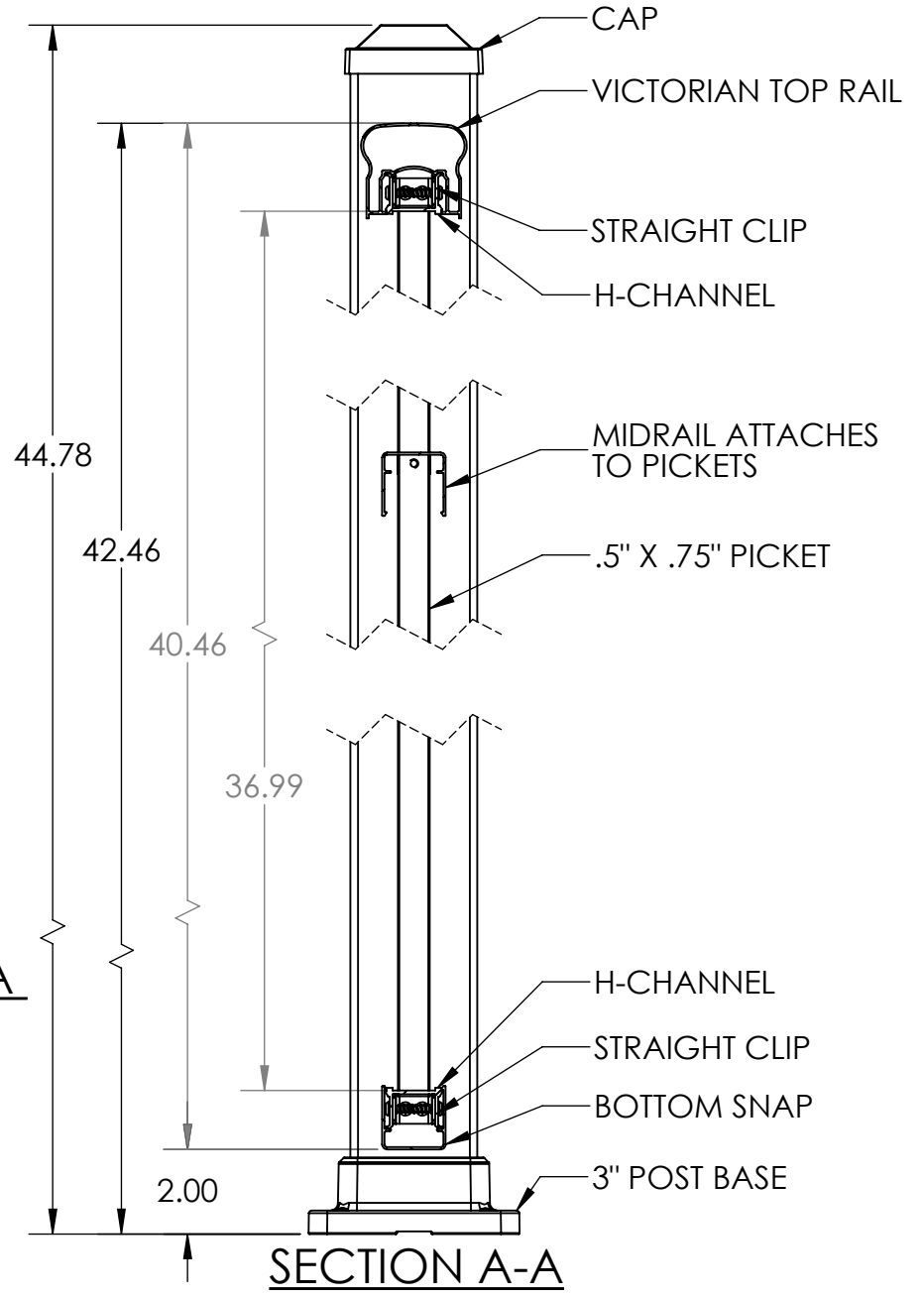
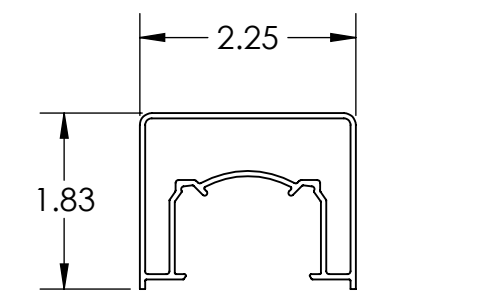
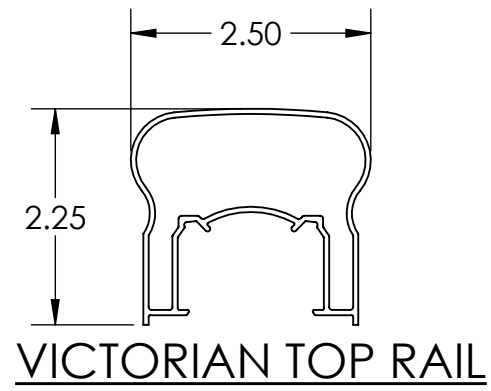
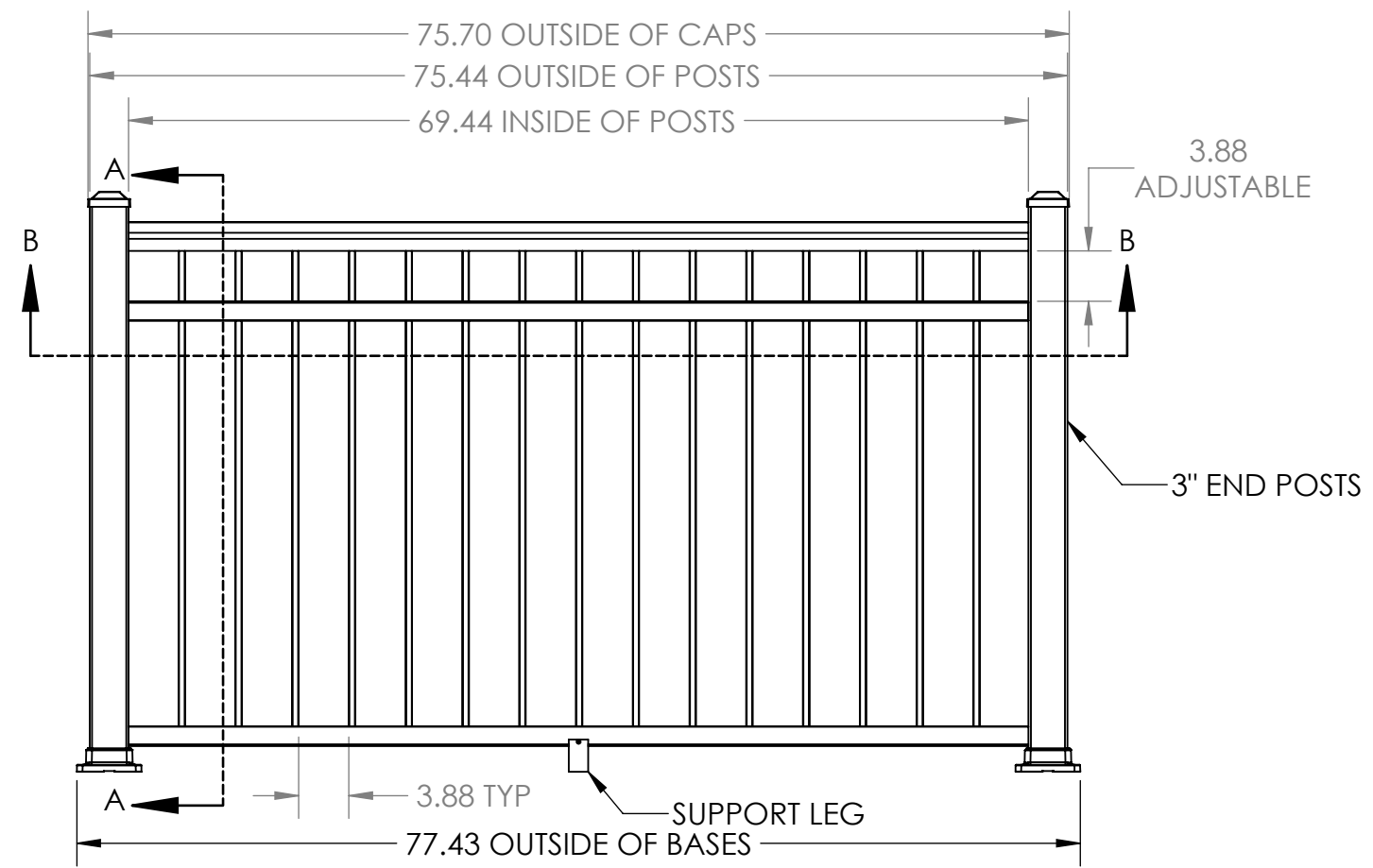
4

3

2

1

REVISIONS - BALLOONS DENOTE CHANGES			
REV.	DESCRIPTION	DATE	APPROVED
A		1/12/2018	ZAG



NOTES:
 1. ALL RAIL MUST BE ASSEMBLED AND FASTENED IN ACCORDANCE WITH ULTRALOX'S INSTALLATION INSTRUCTIONS.
 2. AVAILABLE COLORS ARE BLACK - WHITE - BRONZE.

UNLESS OTHERWISE SPECIFIED:		NAME	DATE	
DIMENSIONS ARE IN INCHES		DRAWN	ZAG	
TOLERANCES:		CHECKED		
SURFACE FINISH: 125 RMS		ENG APPR.		
ANGULAR: ±.5 DEG		MFG APPR.		
LINEAR: .X ±.02				TITLE:
.XX ±.010				POST-TO-POST 42" TOP RAIL
.XXX ±.005				PICKET WITH MID RAIL
THIRD ANGLE PROJECTION:		INTERPRET GEOMETRIC TOLERANCING PER: ASME Y14.5-2009		3" END POSTS - BASE MOUNT
MATERIAL		PROPRIETARY AND CONFIDENTIAL THE INFORMATION CONTAINED IN THIS DRAWING IS THE SOLE PROPERTY OF UltraLox. ANY REPRODUCTION IN PART OR AS A WHOLE WITHOUT THE WRITTEN PERMISSION OF UltraLox.		6' SECTION - 2" BOTTOM GAP
FINISH		SIZE	DWG. NO.	REV
		B		A
DO NOT SCALE DRAWING		SCALE: 1:10	WEIGHT:	SHEET 1 OF 1

4

3

2

1