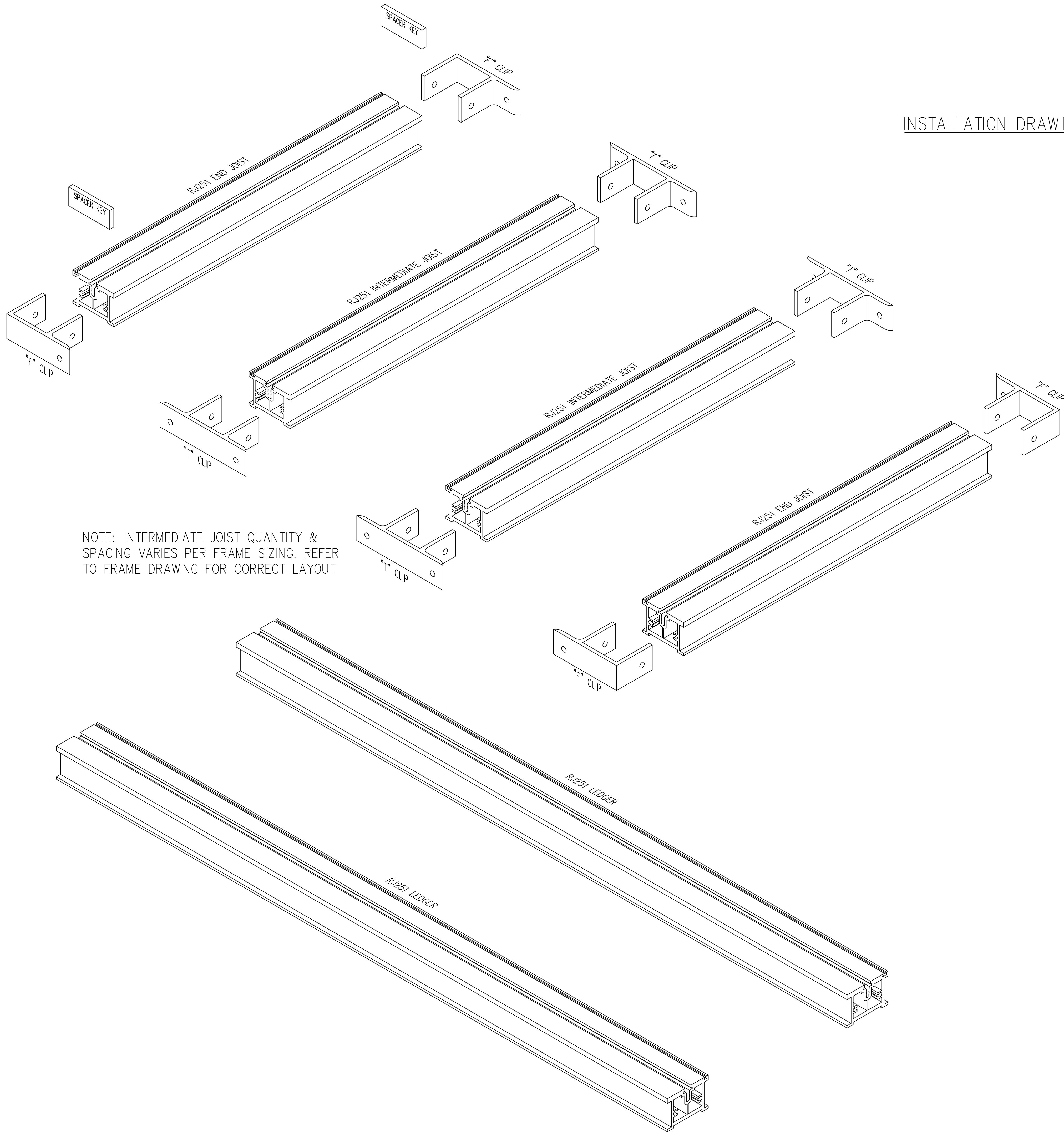


INSTALLATION DRAWINGS FOR SHALLOW JOIST SYSTEM



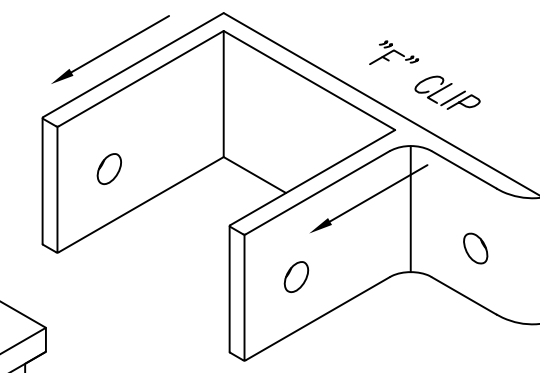
NOTE: INTERMEDIATE JOIST QUANTITY & SPACING VARIES PER FRAME SIZING. REFER TO FRAME DRAWING FOR CORRECT LAYOUT

NO.	DATE	REVISION	BY

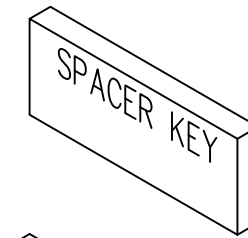
DEXSPAN DECK SYSTEMS		SCALE: 6"=1'-0"	APPROVED BY: ECG
DATE: 08-21-17	FILE:	DRAWING NUMBER:	
SHALLOW LEDGER & JOIST INSTALLATION			
TYPICAL SYSTEM ASSEMBLY			

**DEXSPAN™**  
Extruded Aluminum Deck and Dock Framing Systems

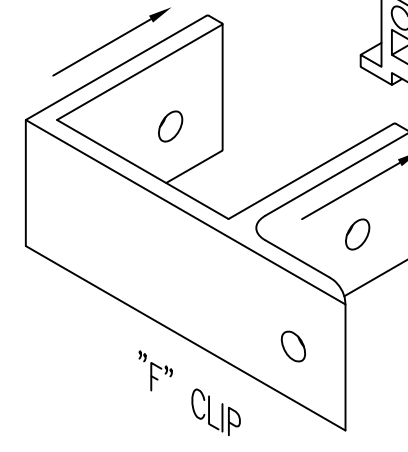
PREPARATION OF END JOIST WITH  
"F" CLIPS FOR INSTALLATION.



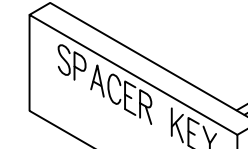
INSERT "F" CLIP  
TIGHT IN JOIST.



CLIP TO BE TIGHT TO  
UNDERSIDE OF TOP LEG.

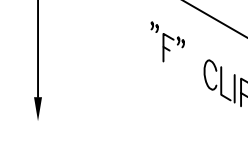


INSERT "F" CLIP  
TIGHT IN JOIST.

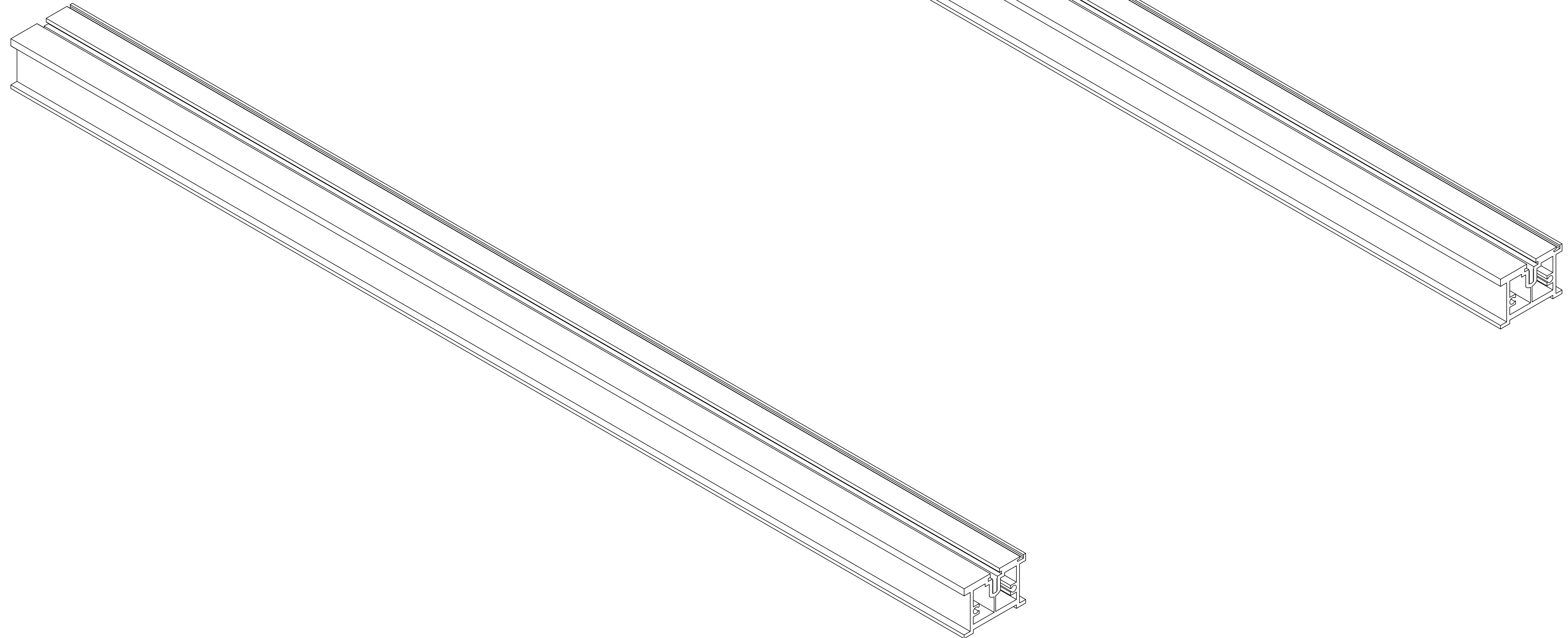


STEP 1

DROP JOIST ASSEMBLY  
INTO LINE WITH LEDGER.

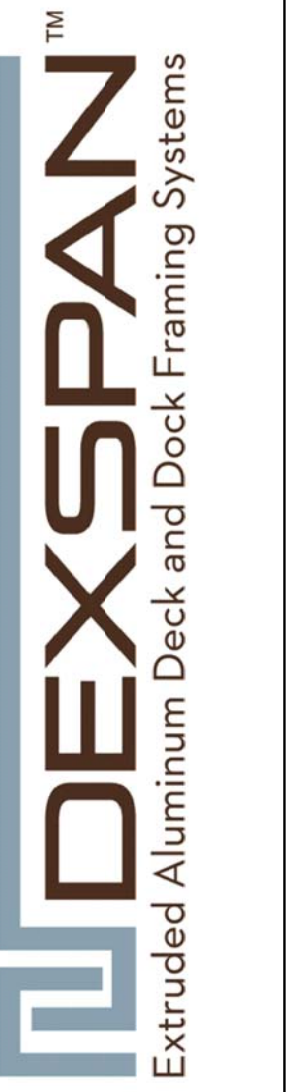


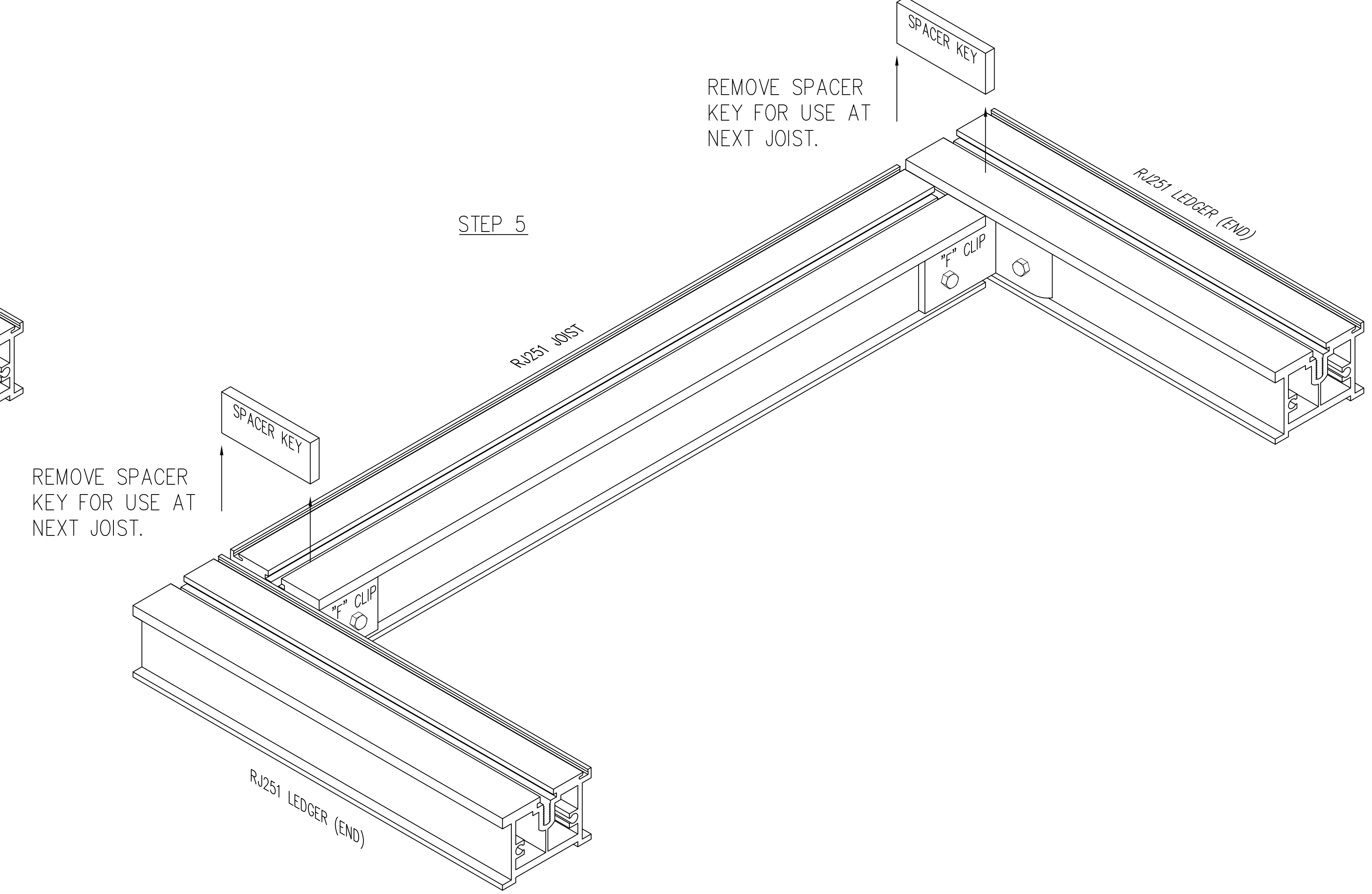
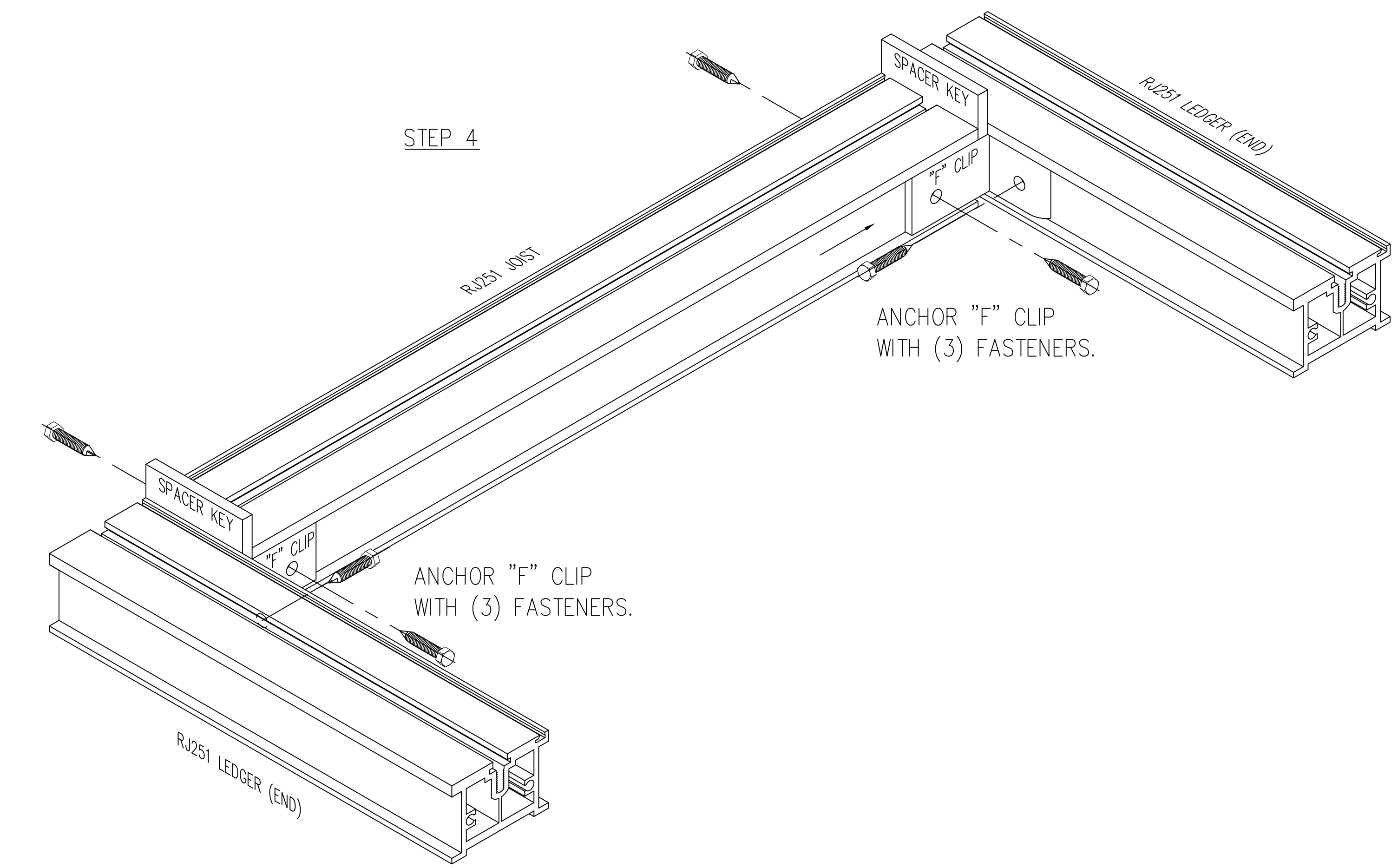
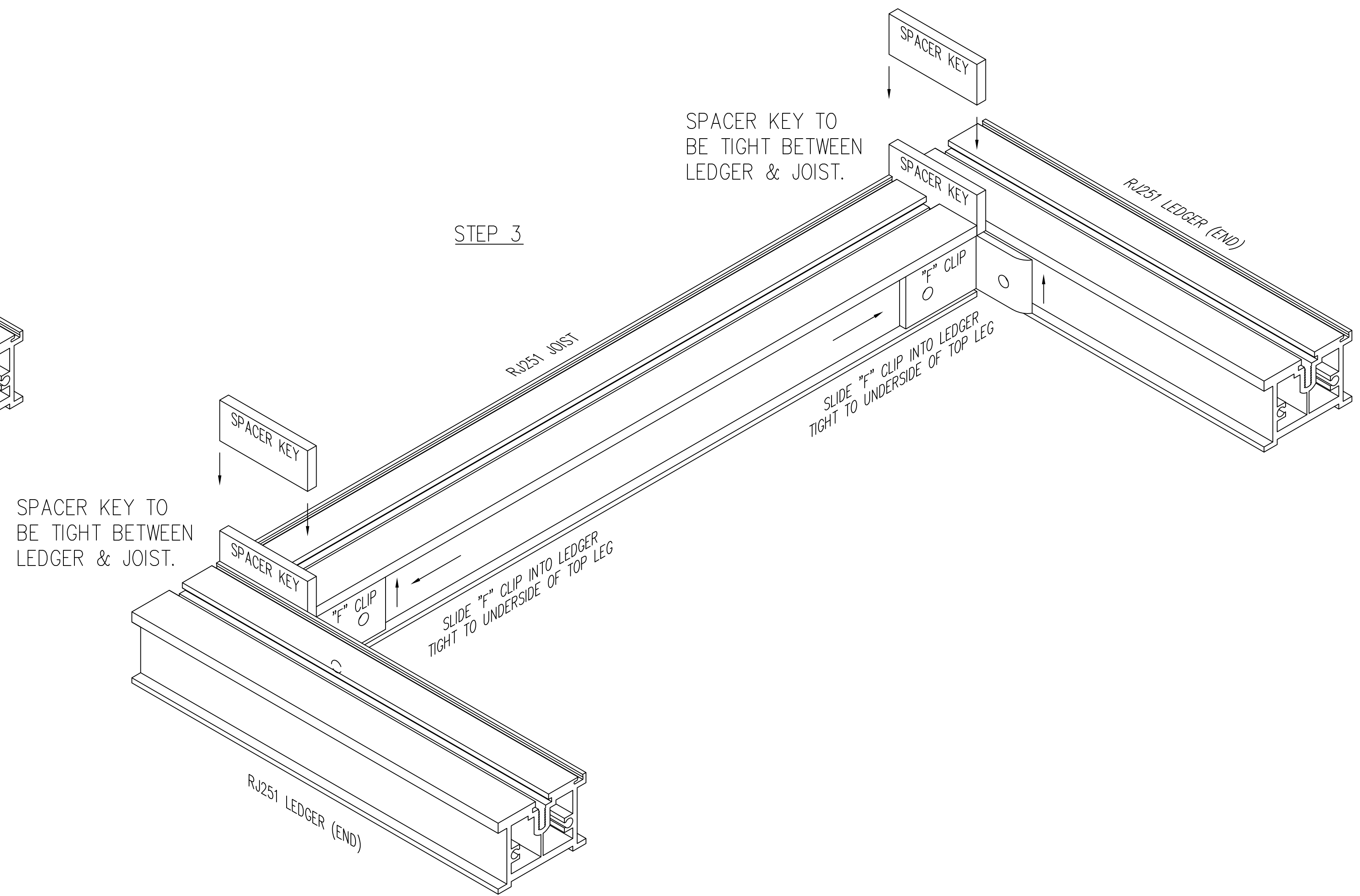
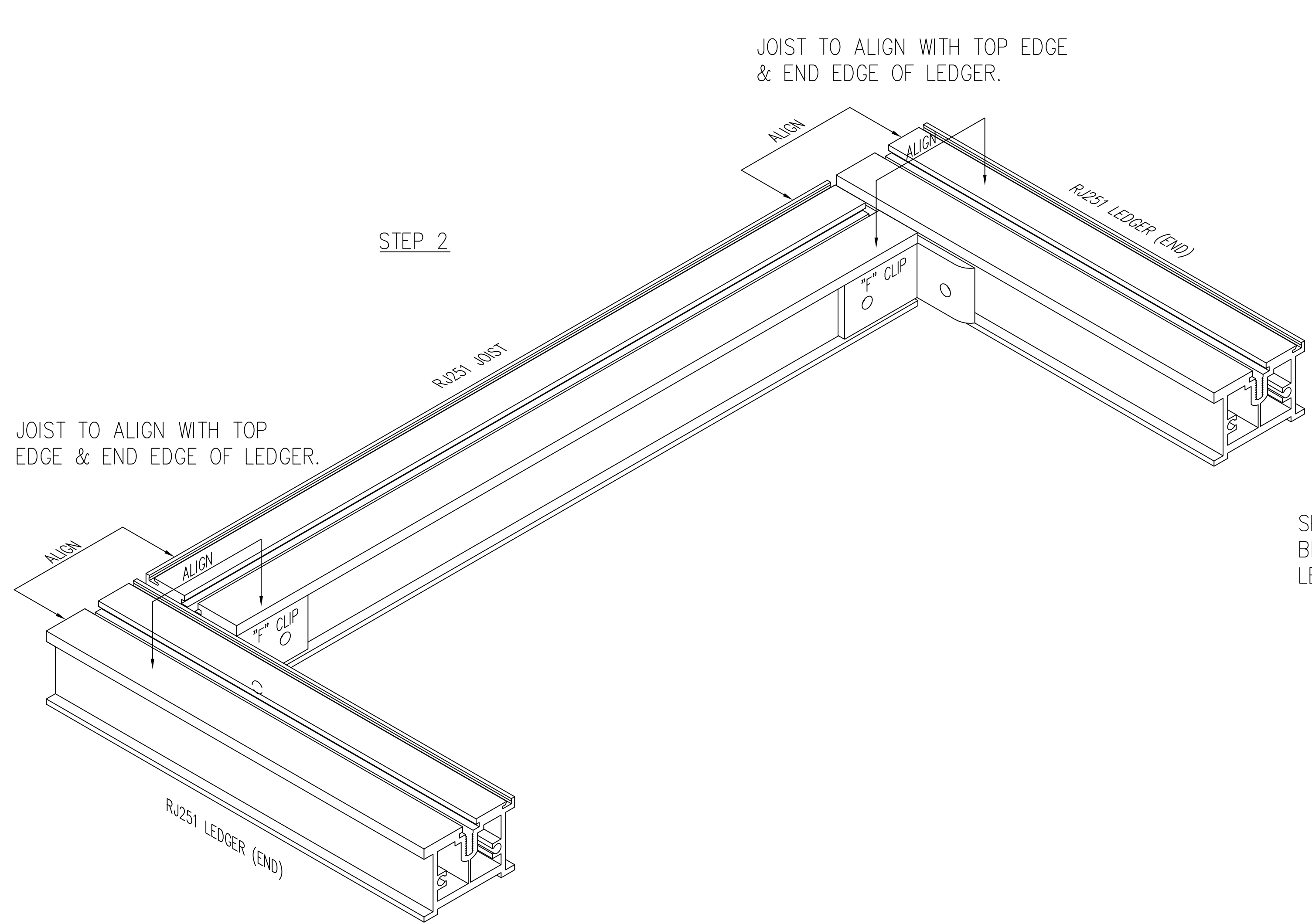
CLIP TO BE TIGHT TO  
UNDERSIDE OF TOP LEG.



NO.	DATE	REVISION	BY

DEXSPAN DECK SYSTEMS		SCALE: 6"=1'-0"	APPROVED BY: ECG
DATE: 08-21-17	FILE:	DRAWING NUMBER:	
SHALLOW LEDGER & JOIST INSTALLATION			
TYPICAL SYSTEM ASSEMBLY			

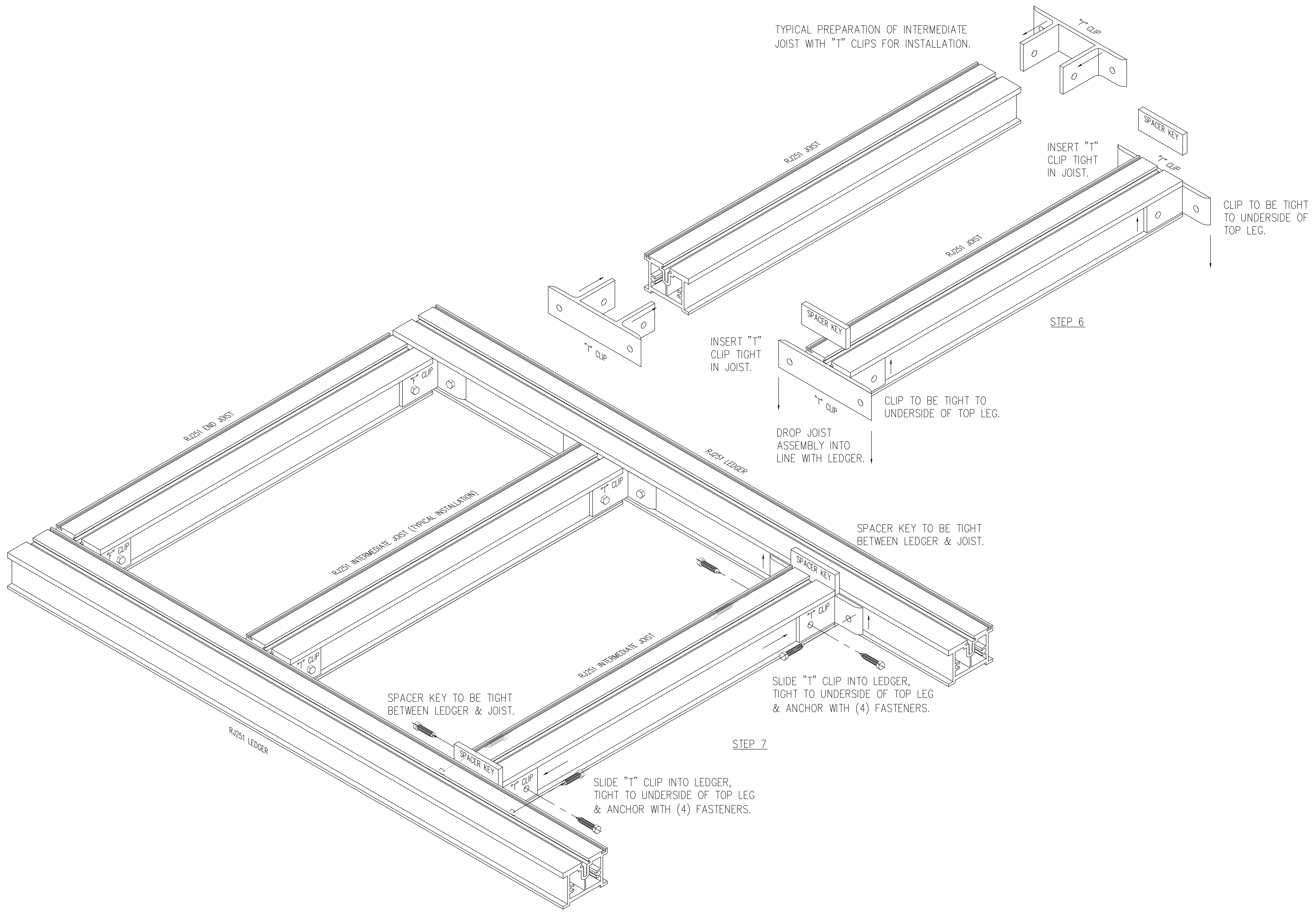




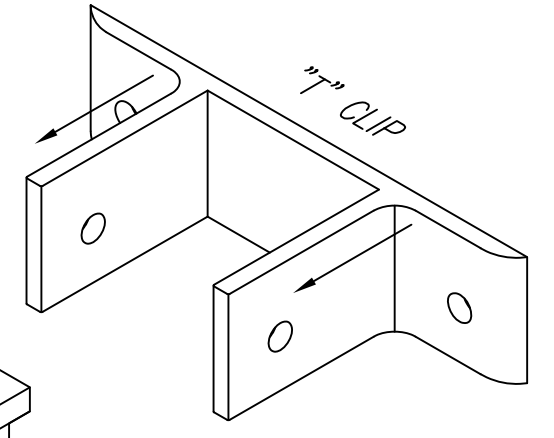
NO.	DATE	REVISION	BY

DEXSPAN DECK SYSTEMS		SCALE: 6"=1'-0"	APPROVED BY: ECG
SHALLOW LEDGER & JOIST INSTALLATION		DATE: 08-21-17	FILE:
TYPICAL SYSTEM ASSEMBLY		DRAWING NUMBER:	

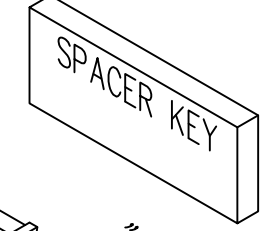




TYPICAL PREPARATION OF INTERMEDIATE JOIST WITH "T" CLIPS FOR INSTALLATION.



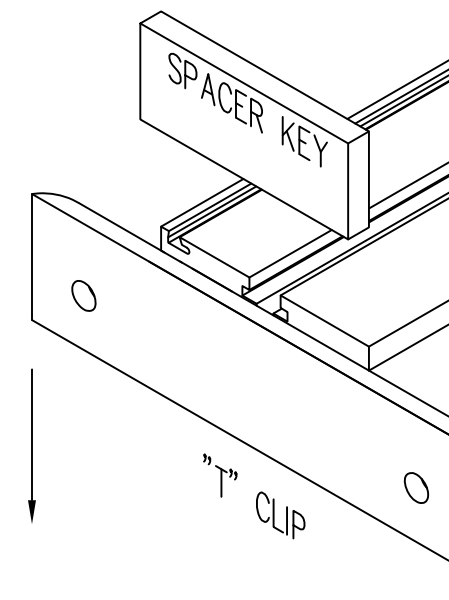
INSERT "T" CLIP TIGHT IN JOIST.



CLIP TO BE TIGHT TO UNDERSIDE OF TOP LEG.

STEP 6

INSERT "T" CLIP TIGHT IN JOIST.



DROP JOIST ASSEMBLY INTO LINE WITH LEDGER.

CLIP TO BE TIGHT TO UNDERSIDE OF TOP LEG.

SPACER KEY TO BE TIGHT BETWEEN LEDGER & JOIST.

STEP 7

SPACER KEY TO BE TIGHT BETWEEN LEDGER & JOIST.

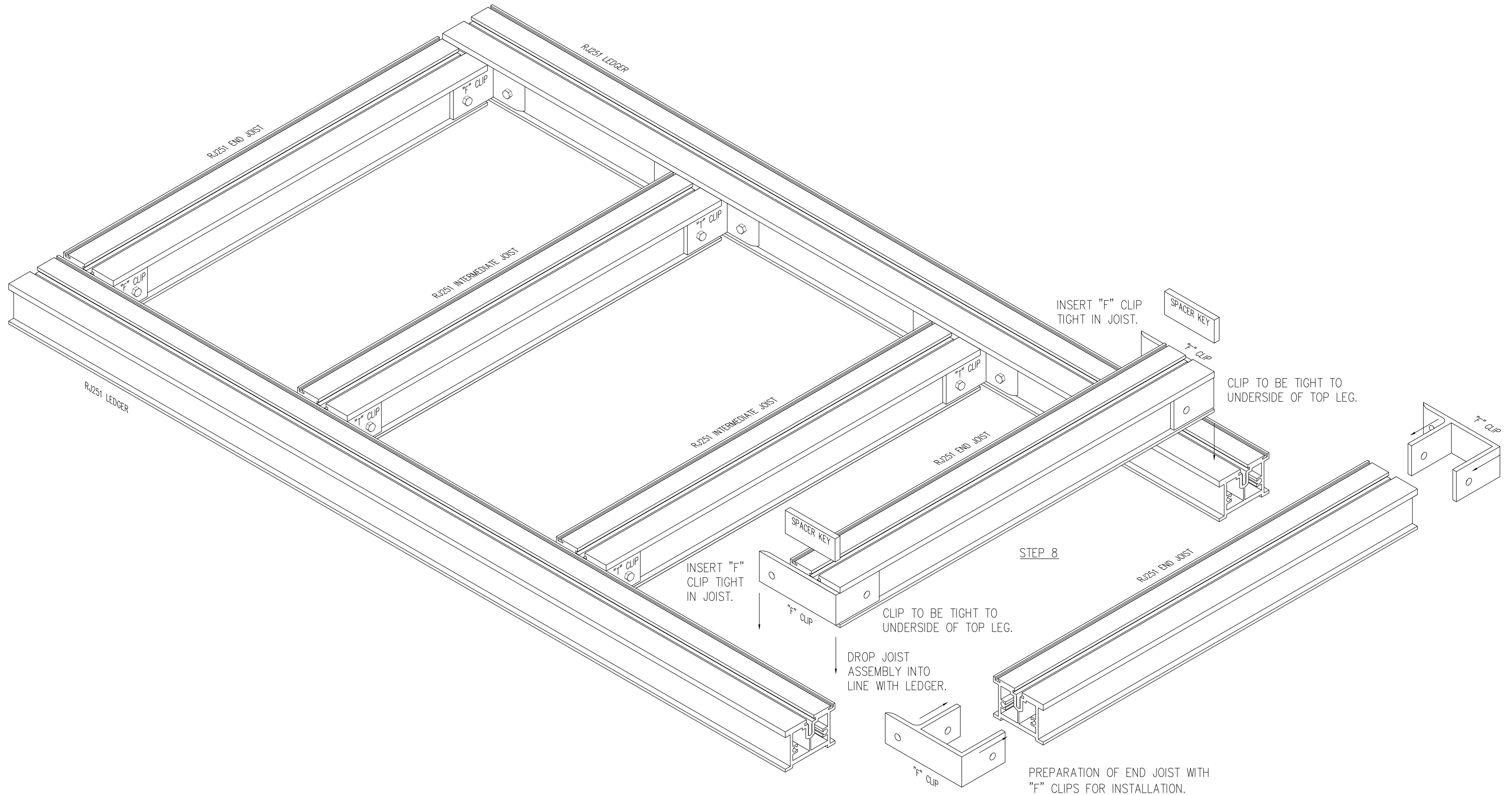
SLIDE "T" CLIP INTO LEDGER, TIGHT TO UNDERSIDE OF TOP LEG & ANCHOR WITH (4) FASTENERS.

SLIDE "T" CLIP INTO LEDGER, TIGHT TO UNDERSIDE OF TOP LEG & ANCHOR WITH (4) FASTENERS.

NO.	DATE	REVISION	BY

DEXSPAN DECK SYSTEMS		SCALE: 6"=1'-0"	APPROVED BY: ECG
SHALLOW LEDGER & JOIST INSTALLATION		DATE: 08-21-17	FILE:
TYPICAL SYSTEM ASSEMBLY		DRAWING NUMBER:	

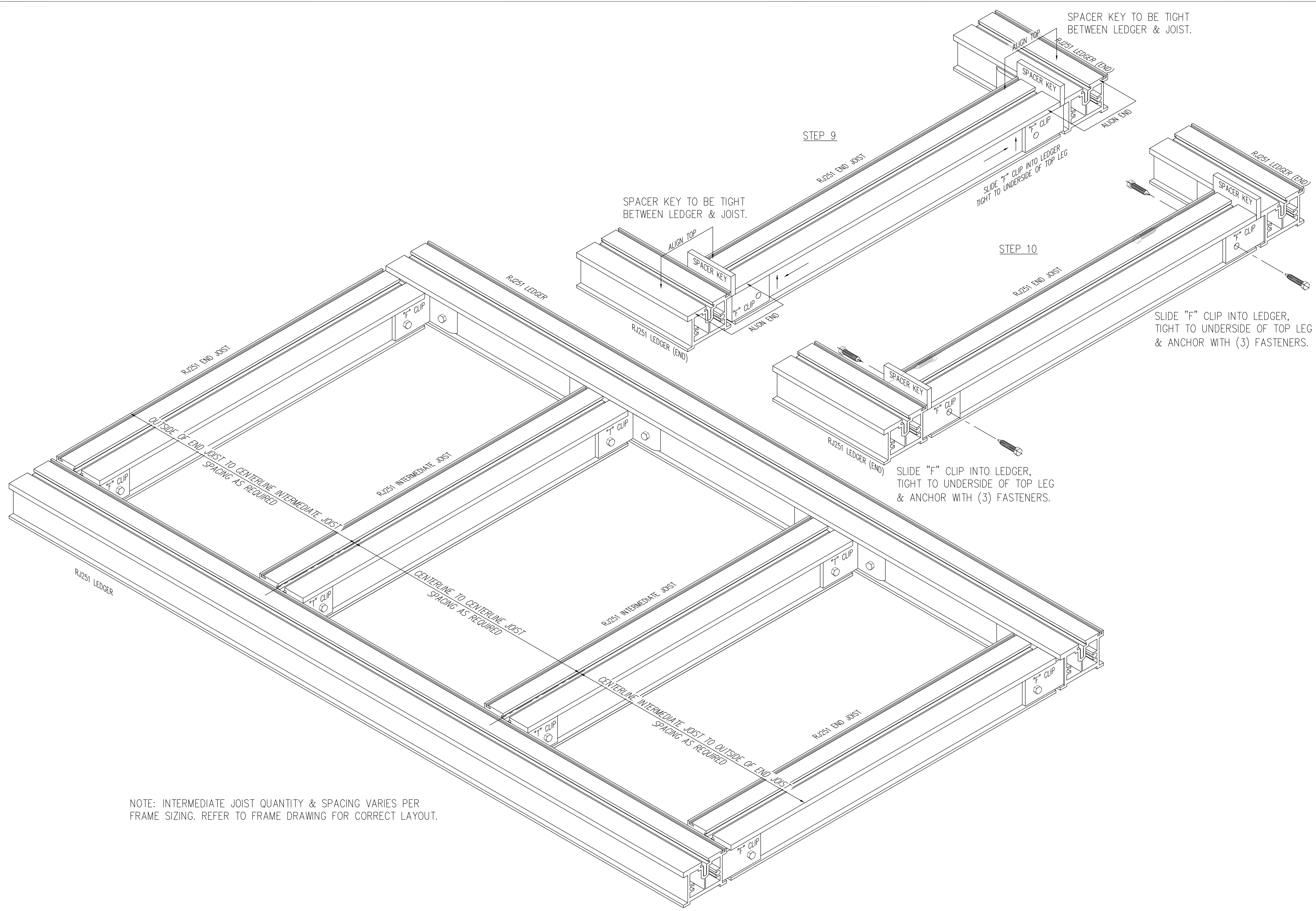




NO.	DATE	REVISION	BY

DEXSPAN DECK SYSTEMS		SCALE: 6" = 1'-0"	APPROVED BY: ECG
SHALLOW LEDGER & JOIST INSTALLATION		DATE: 08-21-17	FILE:
TYPICAL SYSTEM ASSEMBLY		DRAWING NUMBER:	



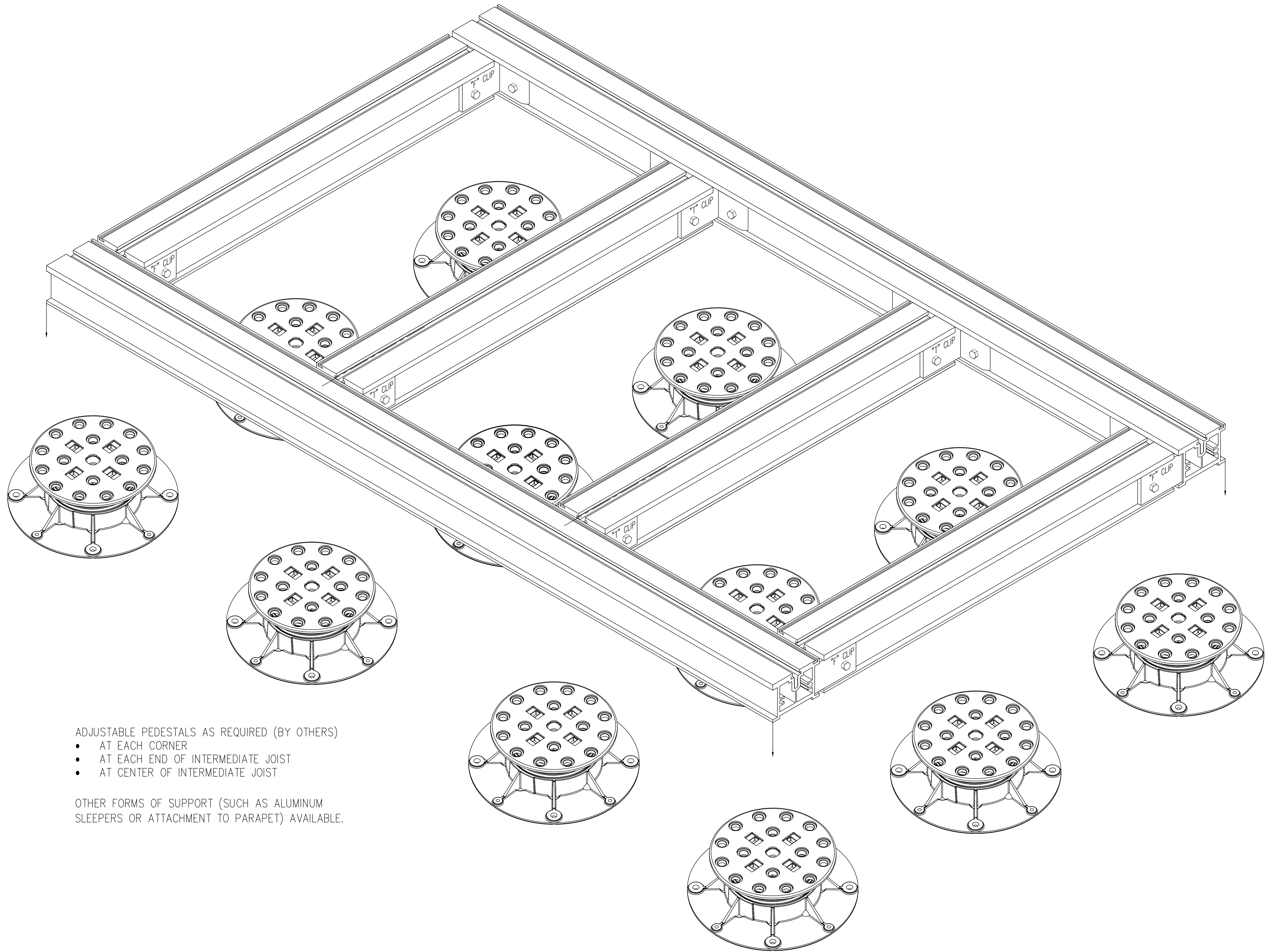


NOTE: INTERMEDIATE JOIST QUANTITY & SPACING VARIES PER FRAME SIZING. REFER TO FRAME DRAWING FOR CORRECT LAYOUT.

NO.	DATE	REVISION	BY

DEXSPAN DECK SYSTEMS		SCALE: 6"=1'-0"	APPROVED BY: ECG
SHALLOW LEDGER & JOIST INSTALLATION		DATE: 08-21-17	FILE:
TYPICAL SYSTEM ASSEMBLY		DRAWING NUMBER:	





ADJUSTABLE PEDESTALS AS REQUIRED (BY OTHERS)

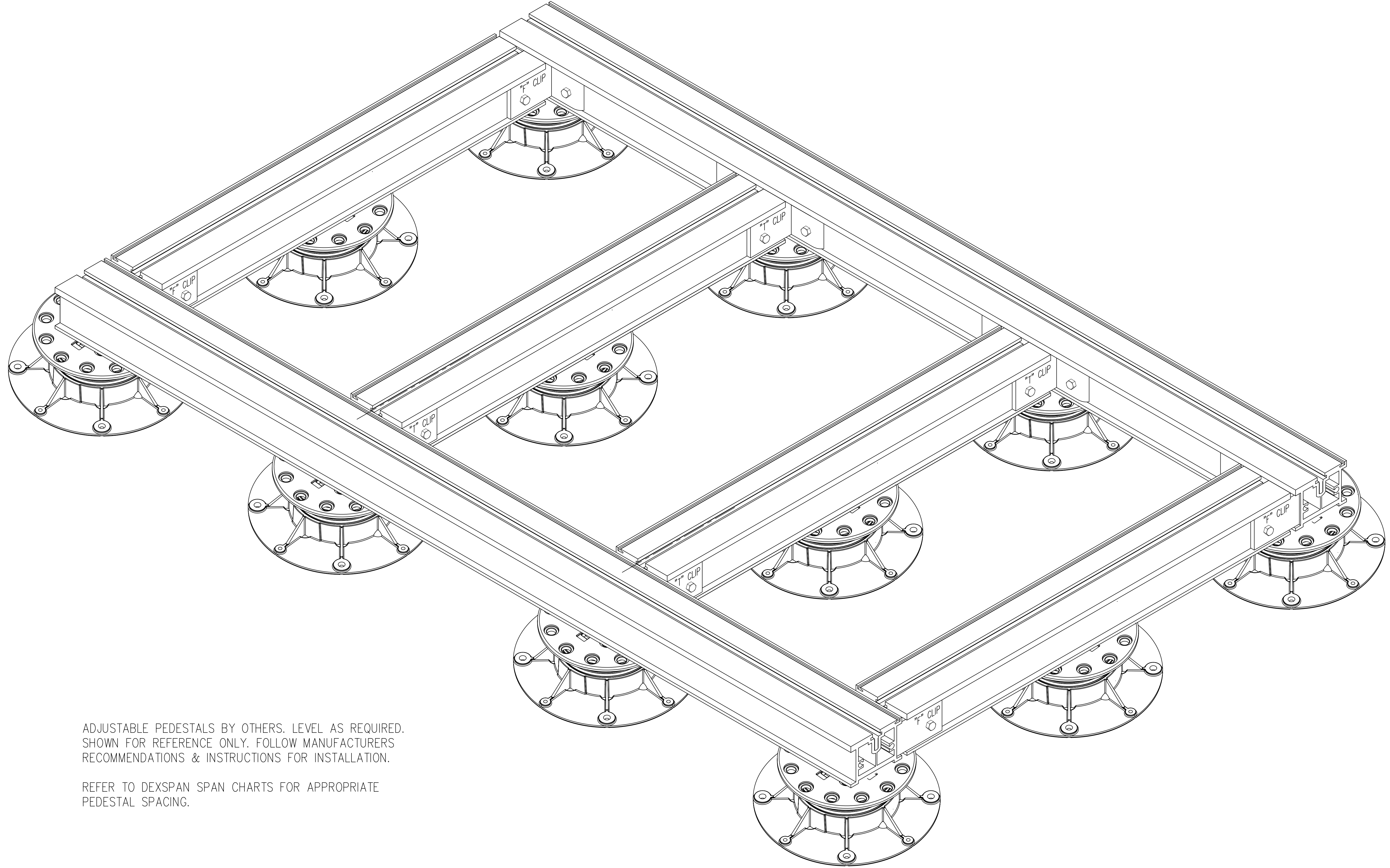
- AT EACH CORNER
- AT EACH END OF INTERMEDIATE JOIST
- AT CENTER OF INTERMEDIATE JOIST

OTHER FORMS OF SUPPORT (SUCH AS ALUMINUM SLEEPERS OR ATTACHMENT TO PARAPET) AVAILABLE.

NO.	DATE	REVISION	BY

DEXSPAN DECK SYSTEMS		SCALE: 6"=1'-0"	APPROVED BY: ECG
SHALLOW LEDGER & JOIST INSTALLATION		DATE: 08-21-17	FILE: TYPICAL SYSTEM ASSEMBLY
TYPICAL SYSTEM ASSEMBLY		DRAWING NUMBER:	





ADJUSTABLE PEDESTALS BY OTHERS. LEVEL AS REQUIRED.  
 SHOWN FOR REFERENCE ONLY. FOLLOW MANUFACTURERS  
 RECOMMENDATIONS & INSTRUCTIONS FOR INSTALLATION.

REFER TO DEXSPAN SPAN CHARTS FOR APPROPRIATE  
 PEDESTAL SPACING.

NO.	DATE	REVISION	BY

DEXSPAN DECK SYSTEMS		DRAWN BY: ECG
SCALE: 6"=1'-0"	APPROVED BY:	FILE:
DATE: 08-21-17		
SHALLOW LEDGER & JOIST INSTALLATION		DRAWING NUMBER:
TYPICAL SYSTEM ASSEMBLY		

