



---

# ARCHITECTURAL BOOKLET 2023

# ULTRALOX AIA CONTINUING EDUCATION AND LUNCH & LEARN

Available In-Person and Online



**AIA**  
Continuing  
Education  
Provider

**We are proud to offer 1.5 hours of continuing education credits throughout Health Safety & Welfare distance learning credits for the AIA/CES program.**

These credits come in the form of two courses:

**HEALTH SAFETY & WELFARE:** Railing Systems for Commercial & Residential Projects

***Upon completion of this course, you will be able to:***

- ◆ Explain the pros and cons of various railing materials.
- ◆ Recognize important safety codes and requirements for stairs and balcony railing.
- ◆ Identify challenges related to commercial railing projects.
- ◆ Select optimal fabrication method for commercial railing projects to address challenges.
- ◆ Determine appropriate railing types and installation conditions to meet project needs

**HEALTH SAFETY & WELFARE: ALL HANDS ON DECK (Ultralox AFS)**

***Upon completion of this course, you will be able to:***

- ◆ Compare/contrast common deck framing materials such as wood, steel, and aluminum for sustainability, durability, and life cycle cost
- ◆ Identify the safety and environmental benefits of aluminum systems and evaluate railing and decking types to select the ones most suited to specific projects
- ◆ Recall important codes and requirements regarding decks and railings to ensure outdoor living spaces are safe and accessible for both installers and occupants
- ◆ Apply knowledge of common railing and decking challenges to design safe and durable outdoor living spaces in residential and commercial applications

Ultralox is a registered Provider with the American Institute of Architects Continuing Education Systems (AIA/CES). Credit(s) earned on completion of this program will be reported to AIA/CES for AIA members. Certificates of Completion are available for self-reporting and record-keeping needs upon completion of the program. This program is registered with AIA/CES for continuing professional education. As such, it does not include content that may be deemed or construed to be an approval or endorsement by the AIA of any materials of construction or any method or manner of handling, using, distributing, or dealing in any material or product.

Contact your ULTRALOX® representative to set up a live interactive AIA approved CEU course from the comfort of your home, office or wherever you may be during this time.

Scan and Sign Up



# THE ULTRALOX SPECIALTY

Ultralox products offer a unique look which will enhance your project's appeal, while still respecting its original style. Quality products and professional service have created the credible reputation our company enjoys.

---

## NEW CONSTRUCTION AND RENOVATION

Ultralox Interlocking® Technology specializes in the design and fabrication of attractive, high-quality, aluminum railing systems for both new construction and renovation projects. Ultralox offers support through each step of the process:

- ◆ Initial design - 3 part spec
- ◆ Estimation and take off services
- ◆ Shop drawings
- ◆ Fabrication
- ◆ Installation

We collaborate directly with you to ensure all specification and code requirements are met. Our adaptability allows us to develop unique solutions to supply maintenance-free aluminum railing products which conform to North American Building Codes.

**Learn how to specify Ultralox on your next project  
by visiting [Ultralox.com/architects](https://www.ultralox.com/architects)**





## MULTI-FAMILY HOUSING APARTMENTS AND CONDOMINIUMS

Multi-family housing projects are an integral part of Ultralox's business. Apartments and condominiums differ from residential homes due to their combination of intense usage and specific design characteristics. Ultralox™ considers typical construction features, such as common walls, abutting patios and shared entries. Architectural designs such as: customization of standard products, unique attachments and/or product substitutions, all play a part in the design and manufacturing of our products. Our patented Ultralox Interlocking™ machine, combined with our growing dealer network, positions Ultralox™ to offer cost-effective railing solutions throughout North America. Approved dealers manufacture Ultralox products at the local level there by reducing production lead times, lowering freight cost/damage issues and offering local project management services.





## COMMERCIAL PROJECTS

### HIGH RISE, OFFICE/RETAIL SPACE AND HOTELS

Ultralox™ supplies aluminum railing systems in both baluster and glass styles for new construction or renovation of commercial projects. Ultralox™ will assist you in your project from start to finish including design, project cost estimation, fabrication and installation.

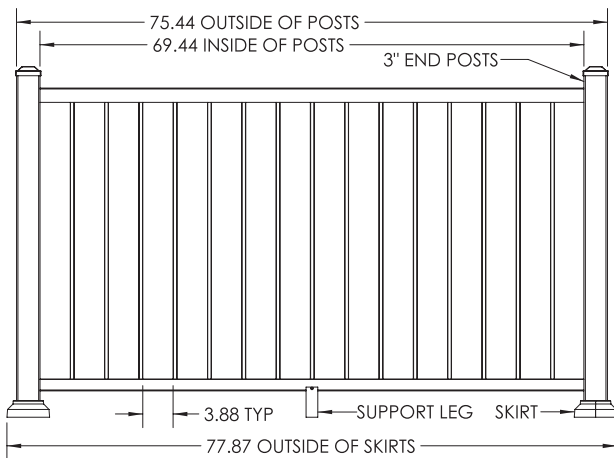
Whether you desire a traditional look or a customized railing option, our experienced team will work hard to meet your design requirements. Choose from our stock powder coat finishes or custom color options (for larger projects only.) It is all possible with Ultralox.



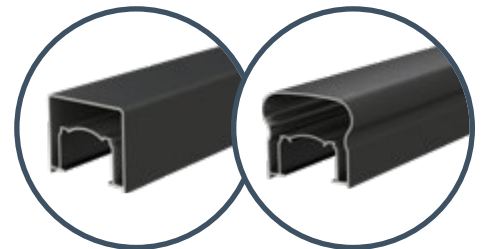


## BALUSTER RAILING

1/2 inch and 3/4 inch baluster



### TOP RAIL OPTIONS



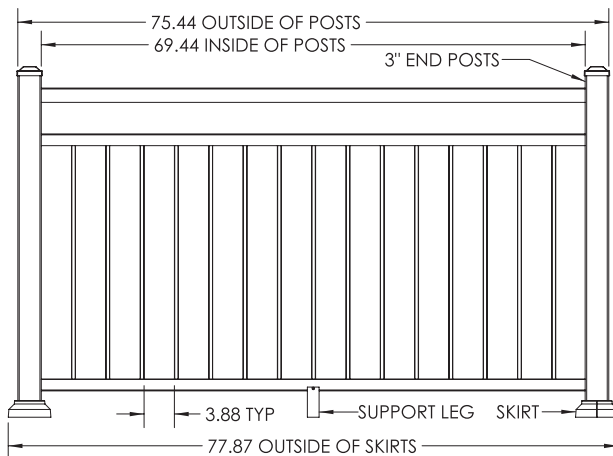
ALTA

VICTORIAN

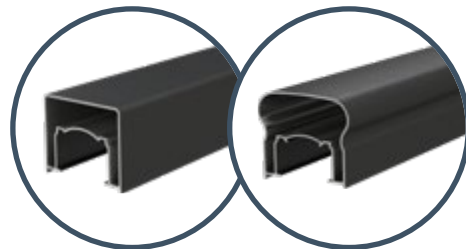


## OPEN MID-RAIL BALUSTER RAILING

1/2 inch and 3/4 inch baluster, dedicated mid-rail



### TOP RAIL OPTIONS



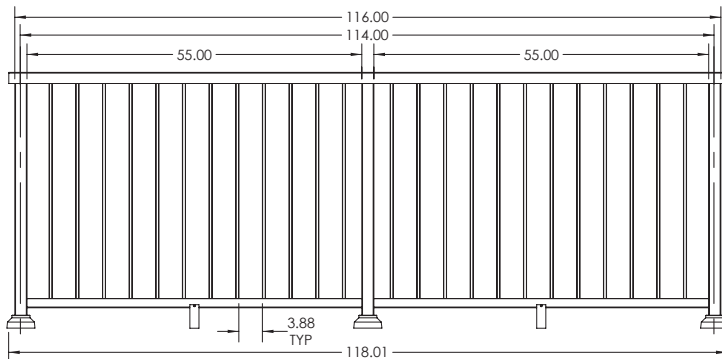
ALTA

VICTORIAN

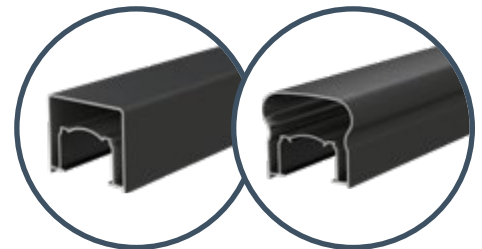


## CONTINUOUS BALUSTER RAILING

Gives a sleek modern top rail design



### TOP RAIL OPTIONS



ALTA

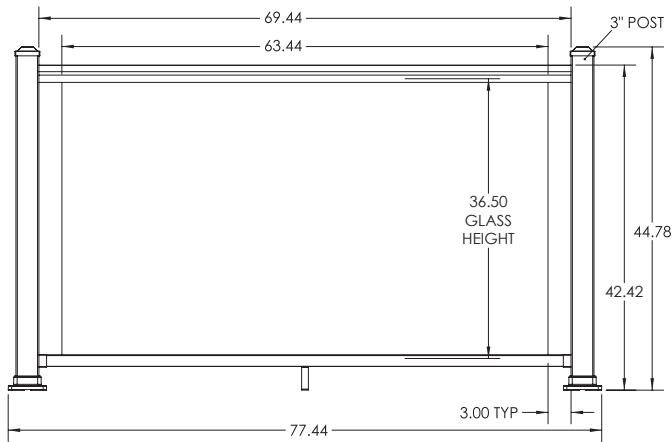
VICTORIAN



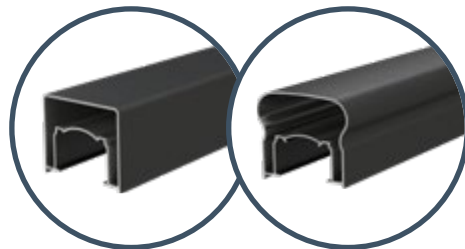


## GLASS RAILING

Compatible with 1/4in glass panels (not included)



### TOP RAIL OPTIONS

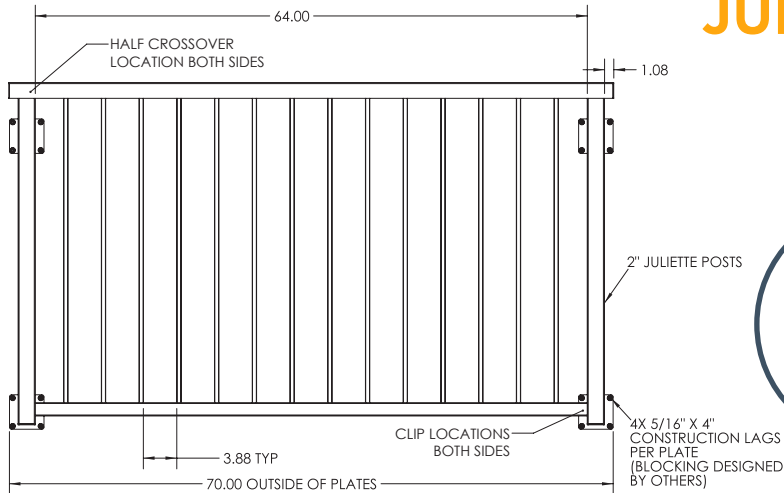


ALTA

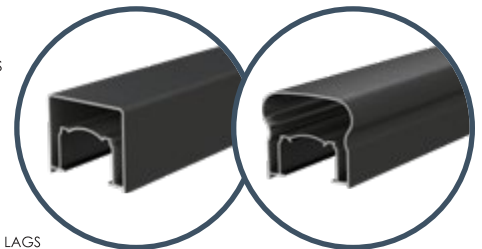
VICTORIAN



# JULIETTE RAILING

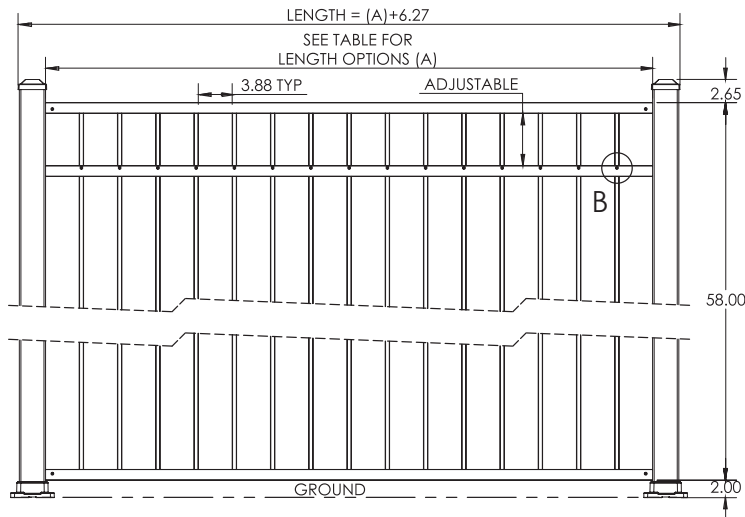


## TOP RAIL OPTIONS



**ALTA**

**VICTORIAN**



## FENCING

Interested in fencing?  
We've got you covered.  
Contact your Ultralox  
representative for  
fencing options.



## ALUMINUM FRAMING SYSTEM

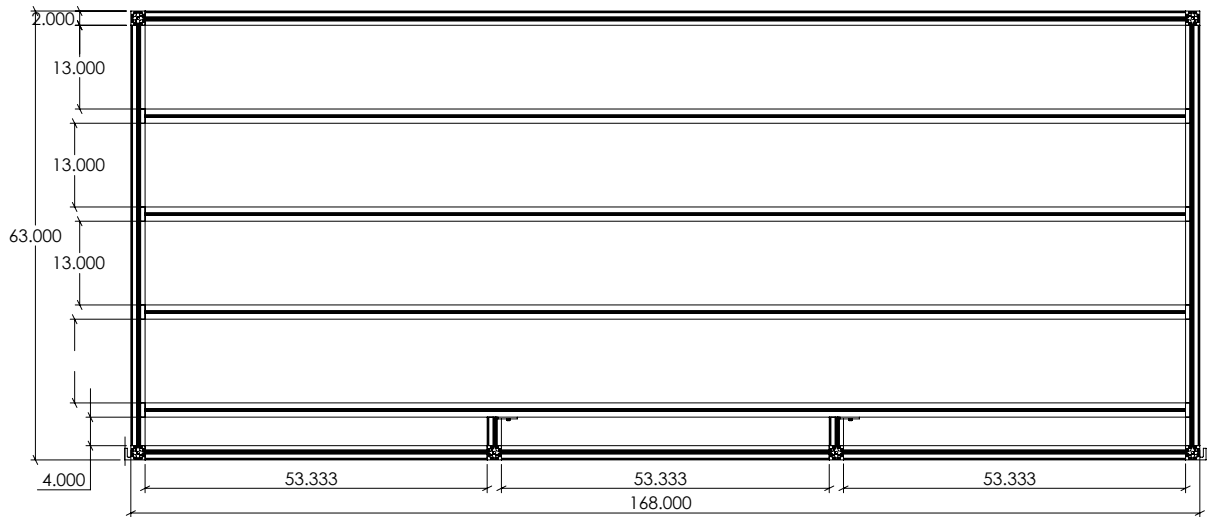
### Hanging Balconies and Rooftop Amenities

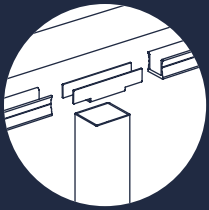


- ◆ Patented system with pre-engineered sections for quick set up saves install time and money
- ◆ Quick-Lock Technology for Rapid Assembly and Precise Framing
- ◆ Use Aluminum Decking or Pavers for a Fire Proof System
- ◆ Stronger & Safer - 100 lbs. per sq. ft. exceeds most commercial codes
- ◆ Longer and Lighter - 31% longer spans and 40% lighter than treated lumber
- ◆ Easy Installation - less tools to install means quicker installation and even less to maintain
- ◆ Regional Installation and Support with Monthly Training Sessions
- ◆ Self-guttering deck boards

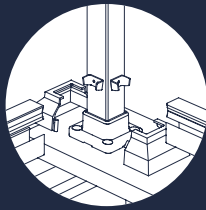


**ALUMINUM  
DECK BOARD**

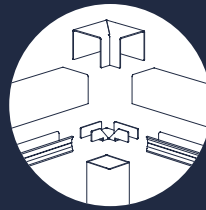




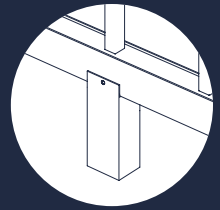
CENTER DETAIL



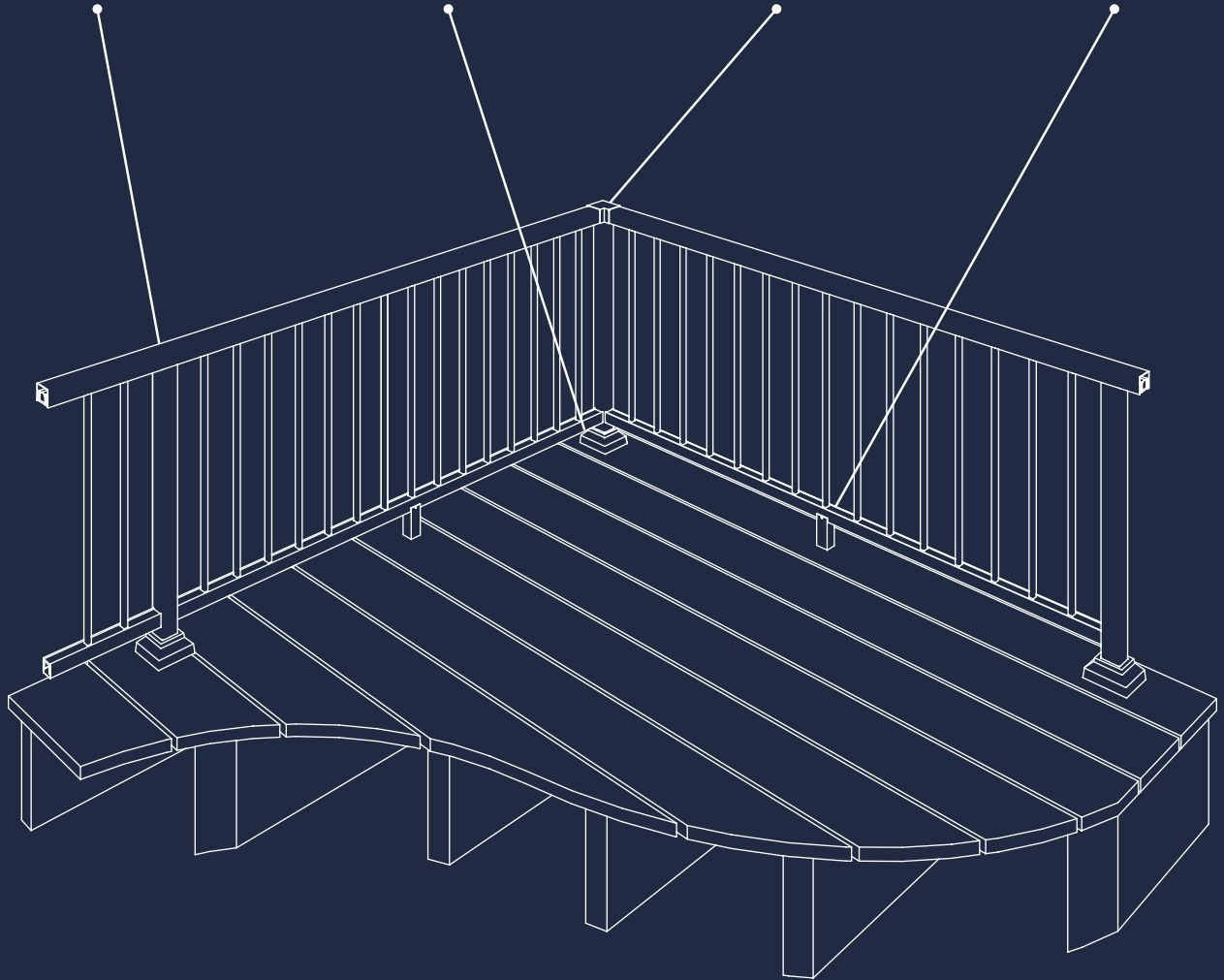
BOTTOM DETAIL

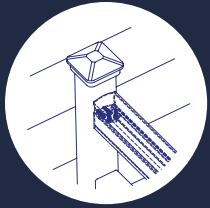


CORNER DETAIL

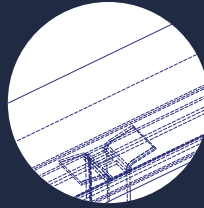


LEG SUPPORT

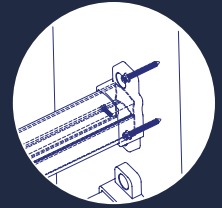




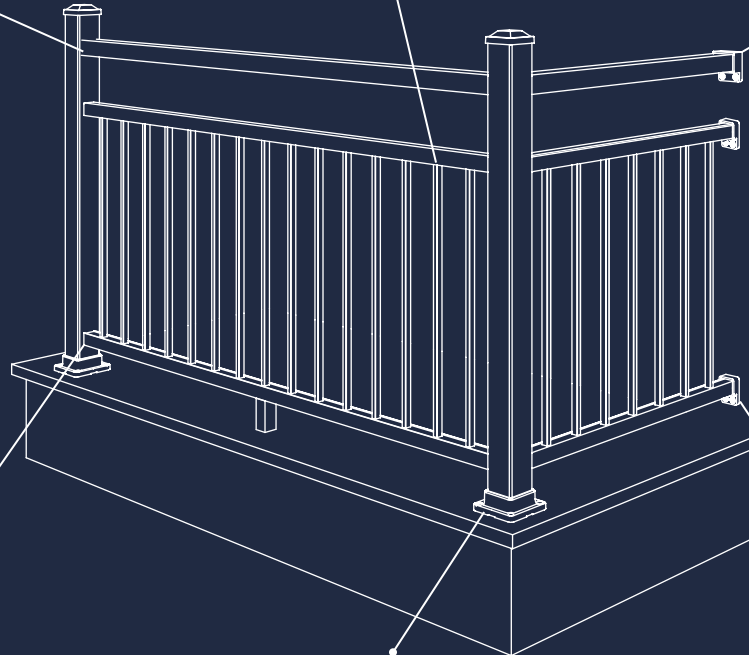
**HANDRAIL  
ATTACHED TO POST**



**PICKET FORMED BY  
ULTRALOX INTERLOCKING™  
MACHINE**



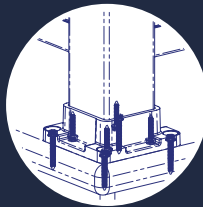
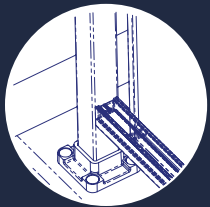
**HANDRAIL  
ATTACHED TO WALL**



**LOWER CHANNEL  
ATTACHED TO POST**

**3" POST CONNECTED TO  
DECK FLOOR**

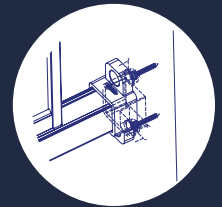
**LOWER CHANNEL  
ATTACHED TO WALL**



**STANDARD  
BASE MOUNT**

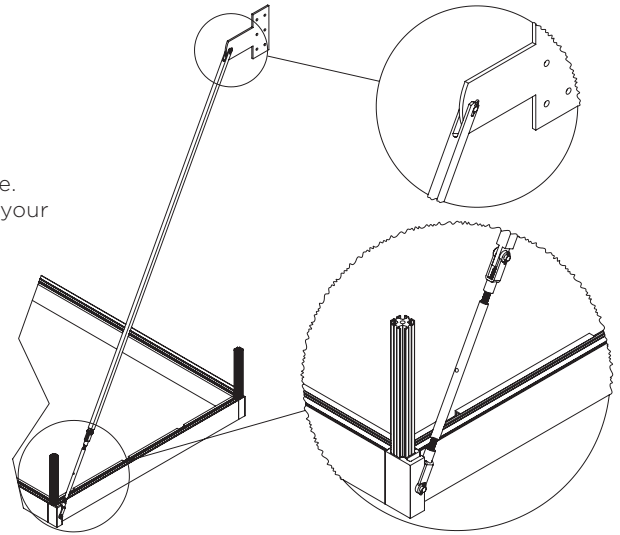


**FASCIA MOUNT**

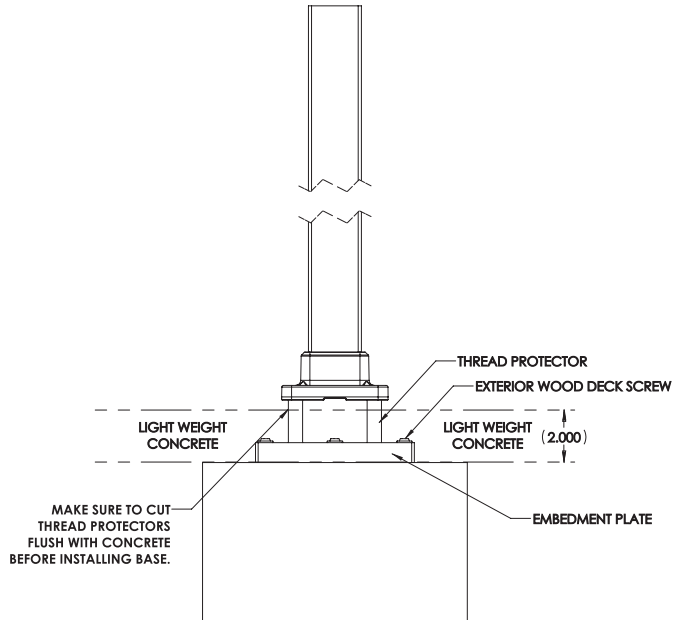
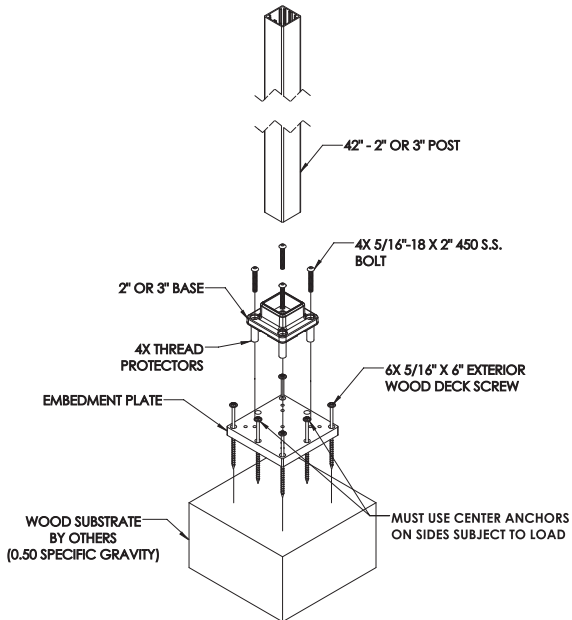


# ATTACHMENT

- ♦ Can be tightened during the hanging process.
- ♦ Various attachment methods with the knife plate available.
- ♦ Customizable project specific show drawings to meet your attachment needs.



Ultralox have different solutions for various budgets including wall mounts and embedment plates.





## RESOURCE ACCESSIBILITY

Ultralox a host of resources ready for you to download and use when you need them, including:



[Ultralox.com/architects](https://Ultralox.com/architects)

## ULTRALOX QUALITY

Ultralox Interlocking™ Technology is the only aluminum railing manufacturer to achieve an ICC-ES ESR rating

What is an ICC-ER Evaluation?

ICC Evaluation Service (ICC-ES) is the industry leader in performing technical evaluations of building products, materials, and systems for code compliance. Due to its diligence and unparalleled engineering experience, ICC-ES is the most widely accepted evaluation agency in the nation.

You can view the Ultralox ICC-ES report by visiting [Ultralox.com/testing](https://Ultralox.com/testing).

Ultralox is also proud to be approved with the Texas Department of Insurance as well as approved for project in Los Angeles, California.



# WARRANTY

---



Ultralox Interlocking® Technology warrants its Railing products to be free from manufacturing defects in material and workmanship to the original consumer purchaser. In addition to manufacturing defects, this warranty covers cracking, peeling and blistering of the finish of our products.

This warranty does not cover damage caused by abnormal or improper use, improper product installation, accidents, alterations, welding, neglect, damage by lawn care equipment, abrasion, harsh chemicals, pool chemicals, snow/ice removal chemicals, air pollutants, improper or lack of service, damage caused by fire, flood or acts of God. This warranty does not cover corrosion from cuts, scratches, dents, or nicks.

This warranty applies to all aluminum extrusions which have been supplied by Ultralox Interlocking® which have AkzoNobel Interpon D2000 Super Polyester Architectural Powder Coating applied. AkzoNobel Interpon D2000 powder coating shall only be applied by approved Interpon D applicators with fully operational Quality Management Systems. Qualified applicators must have written procedures and defined record keeping/documentation that covers the mandatory requirements set forth by AkzoNobel to ensure that the metal pre-treatment and powder application processes are carried out consistently and to the required AkzoNobel/AAMA 2604 Standards.

Products located 1 mile or less from any coastline shall qualify for a 10-year Limited Warranty if an AkzoNobel Interpon 700 polyester epoxy primer (EL015Q) is applied prior to the application of the above Interpon D2000 Super Polyester Architectural Powder Coating. AkzoNobel Interpon 700 polyester epoxy primer (EL015Q) powder coating shall only be applied by approved Interpon D applicators as per above instructions.

Products in direct contact with saltwater do not qualify for any Ultralox Interlocking® warranty.

The original customer purchaser must contact Ultralox Interlocking® directly via phone at **(888) 685-4005** or email **warranty@ultralox.com** to obtain necessary warranty approval documents and instructions on how to file them. Ultralox Interlocking® will notify the original consumer purchaser directly as to whether the claim has been approved or denied. All warranty claims must include the original proof of purchase receipt to be considered for approval.

Conditions and Exclusions apply.



## ABOUT ULTRALOX®

---

Ultralox Interlocking® Technology offers a multifaceted line of aluminum railing and fencing products for both commercial and residential projects using our patented interlocking machine. All our aluminum railing products are accurately documented and meet the highest safety and durability standards in the industry.

Ultralox's high-performance railings are made of durable aluminum with a long-lasting powder-coated finish to stay looking like new. We back that up with a 20-year limited warranty. We guarantee that your railing and fencing system will continue looking great for years to come.

## OUR MISSION

---

Innovation is at the heart of our craft. To meet our customer's needs, we have developed a wide variety of railing and fence solutions. Through flexibility and adaptation, we strive to meet customer's requirements every day.

Ultralox products offer a unique look which will enhance your property's appeal, while still respecting its original style. Quality product and professional service have created the credible reputation our company enjoys.

If you have any questions about our products or how you can specify Ultralox on your next project, please call us at **(888) 685-4005**.



For our full product line up,  
technical data and other resources,  
please visit [Ultralox.com](https://www.Ultralox.com)



 (888) 685-4005

 2737 West Services Road  
Eagan, MN 55121



© 2023 Ultralox Interlocking® Technology. All Rights Reserved.  
Ultralox Interlocking® Technology is protected under U.S. Patent #8286948  
Part # MI090000. Version 2.0