

⚠ IMPORTANT NOTES:

- Use only 6' panels (69.43" actual length).
- Corner Brackets must be used with Straight Brackets on opposing ends of panel for maximum strength.
- Posts should be cut down before attaching bracket to post. Determine the post height needed for your railing application and cut post to height prior to installing bracket. Remember to leave room above the finished rail height to attach a cap to the post. Stair applications will require a longer post than level applications.
- MAXIMUM POST SPANS ON STAIR RAILING APPLICATIONS IS 70" ON CENTER.
- Stair railing panels are shipped at a 37° angle. Panels are adjustable and will accommodate 30-40° stair angles. **CAUTION:** Over adjusting stair panels will cause loose and rattling pickets.
- 45° deck angles require 22.5° clips applied to each side of the post. The 22.5° clip kit is sold **SEPARATELY**.

1. Determine Post Height and Locations

- Measure and mark post locations with 72.43" max on center between posts (use 69.43" [6' nominal] panels only). (Fig. 1)
- Choose from three bracket types for each post location: Straight, Inside Corner and Outside Corner. (Fig. 2) Corner Brackets must be used with straight brackets on opposing sides of panel for maximum strength.

2. Attach Bracket to Post

- Align bottom of fascia bracket flush with bottom of post (with post base insert) while ensuring post is fully seated into bracket. (Fig. 3)
- Use four #14 x 1" Self tapping screws to fasten bracket to post. (Fig. 3)
- **IMPORTANT:** attach bracket to post before attaching to deck to ensure the post will fit properly.

3. Attach Bracket to Deck/Surface

- Level and align bracket to 1/2" below top of rim joist/concrete surface. (Fig. 4)
- Once aligned, hold in place and mark top two hole locations.
- Drill 5/16" pilot holes for top two holes as marked.
- Secure post/bracket to fascia with through upper two holes with two 5/16" x 4" bolts, four washers and two nuts. (Fig. 4)
- Recheck level, then drill pilot holes for lower fasteners.
- Secure bracket to fascia with through lower two holes with two 5/16" x 4" bolts, four washers and two nuts. (Fig. 4)

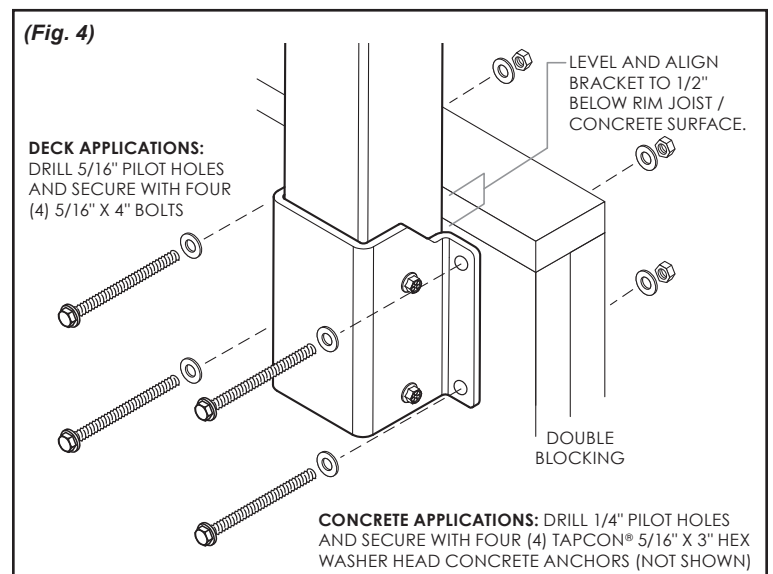
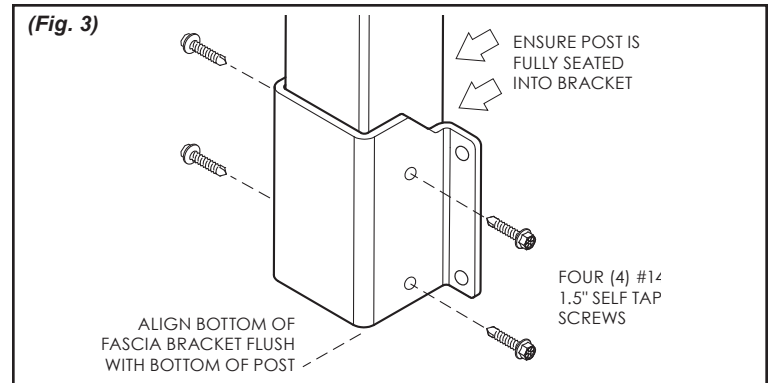
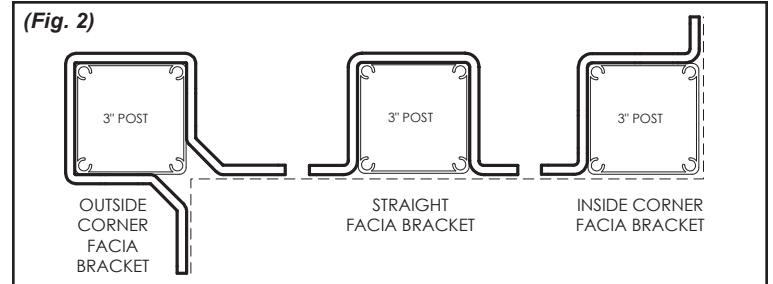
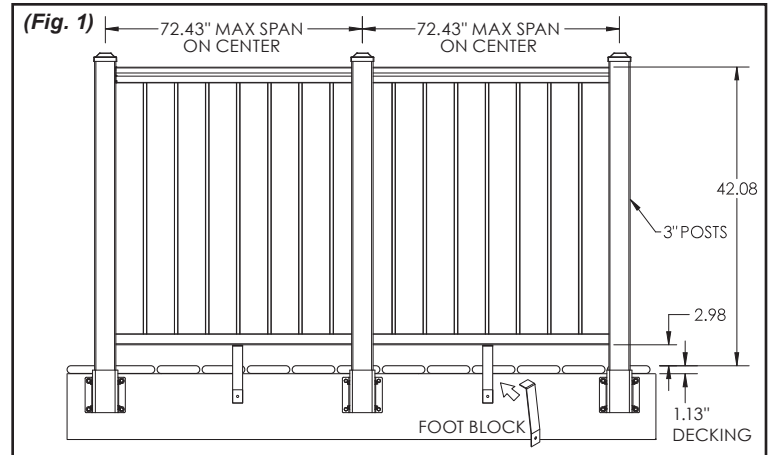
4. Install Fascia Mount Footblock

- Measure and mark the center between posts.
- Attach fascia mount foot block to underside of the assembled railing panel with the slope of the foot block flush with the edge of the bottom rail. (Fig. 1) Use the fascia decking fastener used or the appropriate fastener for the application to attach the foot block to the deck. Tip: the railing touch up paint can be used to match the screw to the footblock.

Stair Applications

Stair applications are similar to level applications, and use the same fascia mount brackets.

NOTE: Vertical alignment of brackets must allow for proper height above stair treads.



Visit Ultralox.com for other installation instructions.